

SERIES 940 UNI-DIRECTIONAL KNIFE GATE VALVE

DN 50 - DN 600 · 10 bar
DN 750 - DN 900 · 7 bar



Bray/VAAS[®]

WWW.BRAY.COM

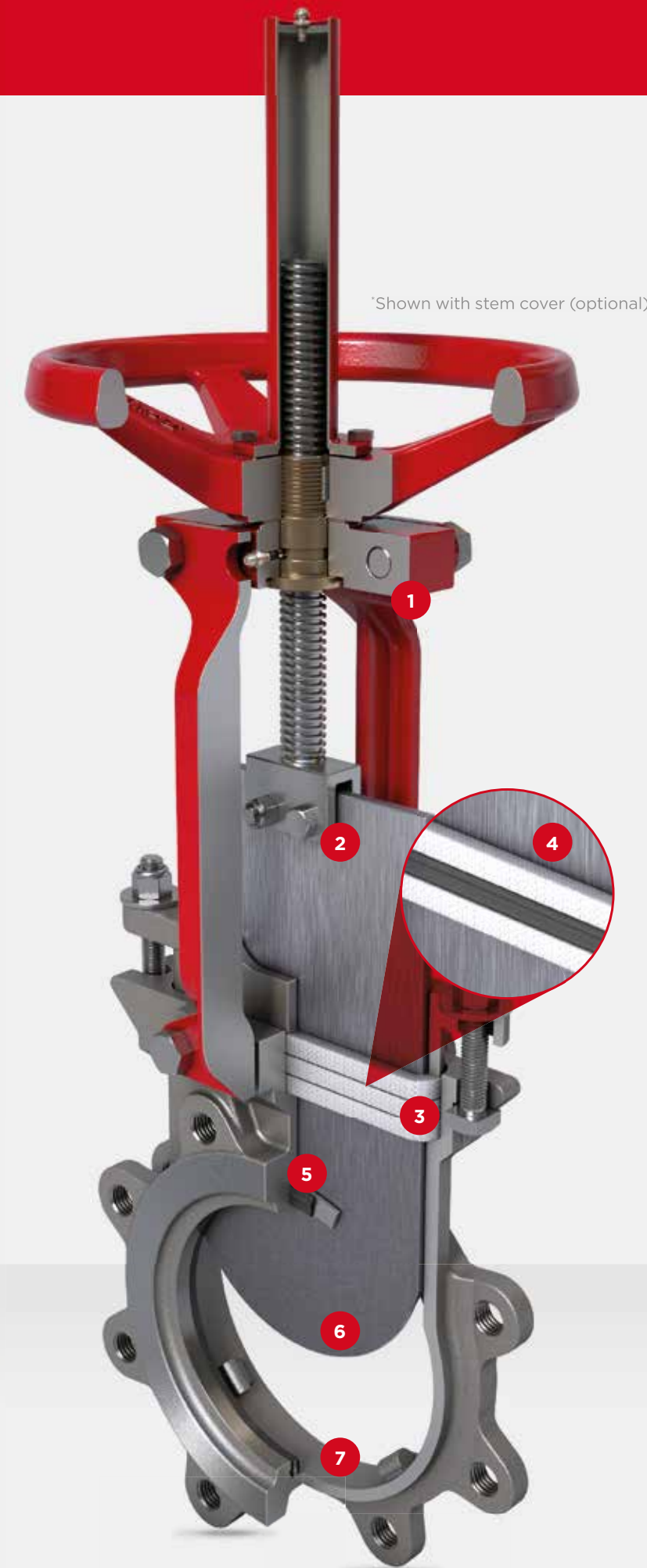
YOUR GLOBAL FLOW CONTROL PARTNER[™]

SERIES 940 UNI-DIRECTIONAL KNIFE GATE VALVE

The **Bray/VAAS Series 940** one-piece, cast body design offers rugged performance in applications ranging from general purpose to severe media handling.

Available with integral metal or replaceable soft seat, the Bray/VAAS Series 940 gate valve is easily automated for on/off applications.

- 1** Designed for easy, quick conversion between manual and pneumatic actuation. Featuring a lubricant injection port for continuous, smooth operation with minimal maintenance.
- 5** Standard integral metal seat and optional replaceable zero leakage resilient seats.*
- 2** Clevis design and horizontal bolting stabilises gate ensuring proper alignment.
- 6** Deflection resistant gate design ensures consistent alignment for industry leading durability.
- 3** Standard multi-layer square packing provides exceptional gland sealing.
- 7** Unique body design with no dead pockets enables self-draining of valve.
- 4** Optional energised quad seal packing for enhanced gland sealing.



SPECIFICATIONS & STANDARDS

Size Range	DN 50 - DN 900 (2" - 36")	Testing	MSS SP-81
Pressure Rating	Up to DN 600 · 10 bar DN 750 - DN 900 · 7 bar	Face-to-Face	MSS SP-81
Body Style	One piece, wafer, lug	Certification	Canadian CRN
Design	MSS SP-81	Drilling*	ASME B16.5 CLASS 150, ASME B16.47 CLASS 150

*Additional drilling options available. Consult factory for availability.

STANDARD CONSTRUCTION

Body	Gate	Seat	Stem	Gland	Packing	Topworks
CF8	304	Integral	304	304	PTFE**	Steel
CF8M	316	Integral	304	304	PTFE**	Steel
WCB	304	Integral	304	304	PTFE**	Steel

**PTFE impregnated synthetic fibre

BODY OPTIONS

CF3M Stainless Steel
SAF 2205 Duplex
SAF 2507 Duplex

GATE OPTIONS

316, 317 Stainless Steel
SAF 2507 Duplex
SAF 2205 Duplex
17-4PH Stainless Steel
Hastelloy® C
Monel®

ACTUATOR OPTIONS*

Direct Mounted Handwheel (Standard)
Bevel Gear
Pneumatic
Hydraulic
Electric

SEAT OPTIONS

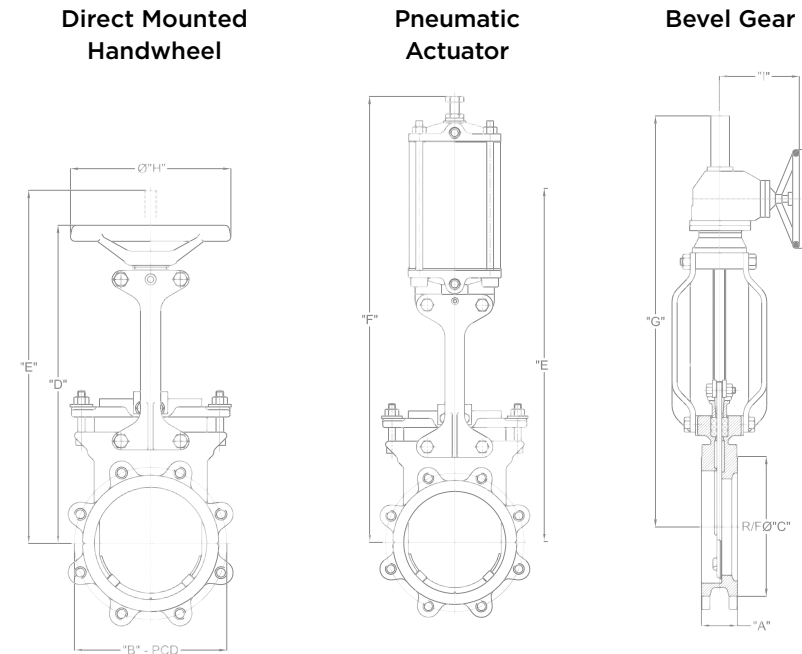
Buna-N	-37° - 90° C
EPDM	-54° - 120° C
Viton®	-26° - 200° C
PTFE	-148° - 232° C

PACKING OPTIONS

PTFE**	232° C
PTFE / Buna-N Quad Seal®	90° C
PTFE / Viton® Quad Seal®	200° C

Copper Wiper	500° C
Graphite	650° C

*Additional material options may be available upon request. Consult factory for availability.



Consult factory for hydraulic and electric actuators dimensions.

DIMENSIONS [mm]

DN	A	B	R/FøC	D	E	F	G	øH	I	øJ
50	48	121	92	332	359	460	-	203	-	-
80	51	152	127	400	457	555	-	203	-	-
100	51	191	157	441	525	622	-	203	-	-
125	57	216	186	494	595	707	-	254	-	-
150	57	242	216	532	657	795	-	254	-	-
200	70	299	270	632	807	956	757	299	296	508
250	70	362	324	694	942	1137	892	406	296	508
300	76	432	375	780	1080	1274	1043	406	296	508
350	76	476	413	836	1157	1334	1160	508	306	508
400	89	540	470	921	1285	1472	1260	508	306	508
450	89	578	534	1044	1459	1647	1468	508	306	508
500	114	635	584	1158	1616	1843	1607	508	306	508
600	114	750	692	1354	1921	2143	1903	508	306	508

Dimensions are approximate and subject to change. Consult factory for certified drawings.

WEIGHTS [kg]

DN	50	80	100	125	150	200	250	300	350	400	450	500	600
Handwheel	9	13	14	22	23	35	53	76	120	162	215	340	405
Pneumatic Actuator	16	18	24	35	38	55	96	142	186	225	272	365	478
Gear Operator	-	-	-	-	-	48	83	95	128	165	215	275	435

Approximate weights shown with direct mounted handwheel, consult factory for additional configurations.



YOUR GLOBAL FLOW CONTROL PARTNER™



HEADQUARTER

Bray International, Inc.

Houston, TX, USA
+1 800 800 BRAY (2729)

BRAY · EUROPE

Benelux

Heerhugowaard
+31 72 572 1410

Germany

Krefeld
+49 2151 53360

Middle East

Dubai
+971 4 887 6979

Russia

Moscow
+7 495 36 36 222

France

Voiron
+33 4 7606 5585

Italy

Milano
+39 02 7030 7077

Poland

Oświęcim
+48 33 842 1968

United Kingdom

Glasgow
+44 141 812 5199

INTERNATIONAL

Australia

Melbourne
+61 3 9580 9755

Chile

Santiago
+56 2739 2966

India

Vadodara
+91 2667 664 444

Singapore

Ubi Techpark
+65 6742 1428

Brazil

Sao Paulo
+55 19 3517 6161

China

Hangzhou, Zhejiang
+86 571 828 52200

Mexico

Zapopan, Jalisco
+52 33 3836 4460

South Africa

Johannesburg
+27 10 007 3222

Canada

Montréal
+1 514 344 2729

Colombia

Bogota
+57 1 876 6084

Peru

Lima
+51 1 251 0251

South Korea

Seoul
+82 2 2190 3809

▶ LOCAL

BRAY CONTROLS (UK) LIMITED · A Subsidiary of Bray International, Inc.

16-18 Fountain Crescent · Inchinnan Business Park · Inchinnan · PA4 9RE · Scotland
T. +44 141 812 5199 · F. +44 141 812 6199 · bcuk.sales@bray.com · www.bray.com

All statements, technical information, and recommendations in this bulletin are for general use only. Please contact us for the specific requirements and material selection for your intended application. The right to change or modify product design or product without prior notice is reserved. Patents issued and applied for worldwide. Bray® is a registered trademark of Bray International, Inc. © 2017 Bray International. All rights reserved. B-VA-6940_S940_EU-EN_2017-05-02

WWW.BRAY.COM