

Series 745

Bidirectional Polyurethane Lined Knife Gate Valve



Bray / VAAS®

2"-24" (50-600mm) 150psi (10bar)

Series 745

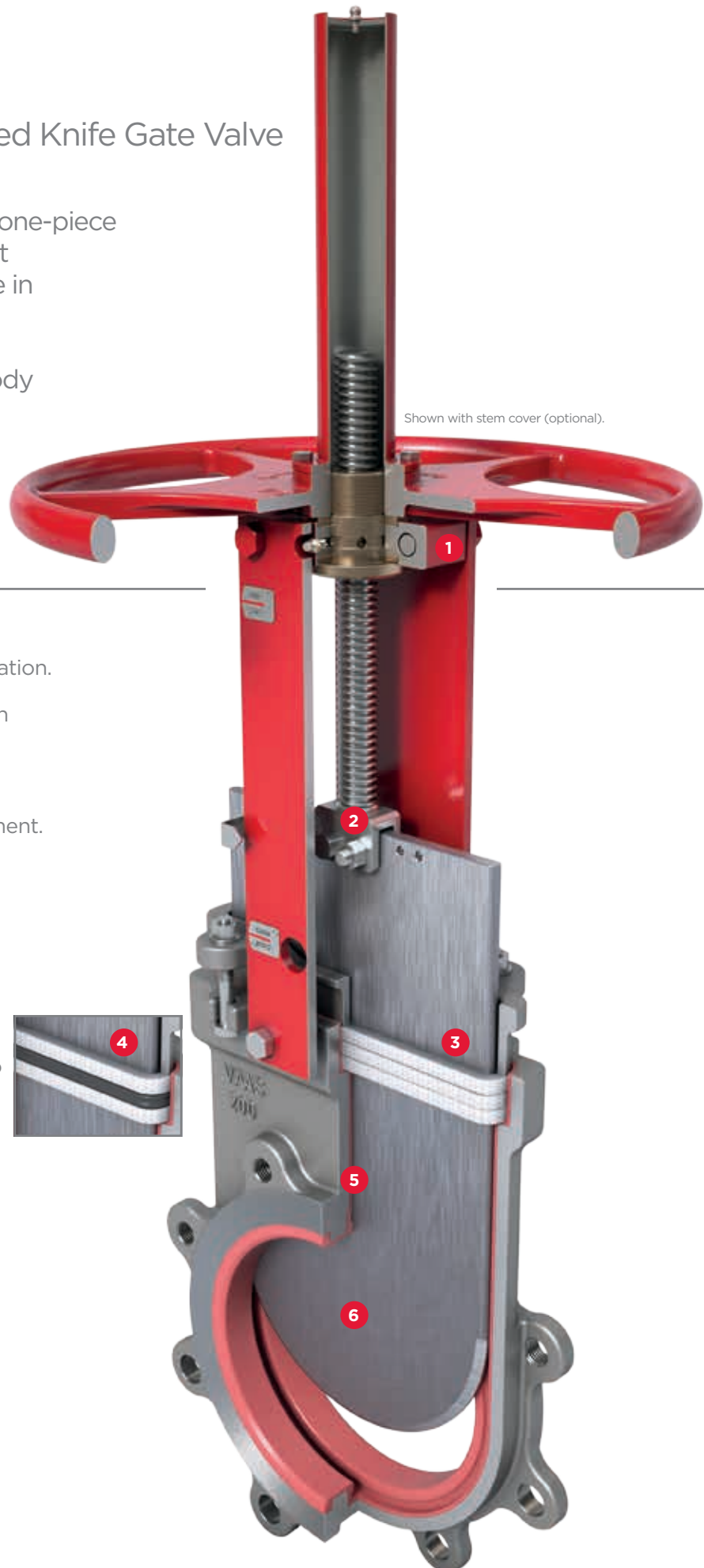
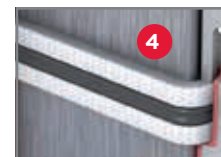
Bidirectional Polyurethane Lined Knife Gate Valve

The Bray/VAAS Series 745 features a one-piece polyurethane liner molded throughout the body and chest for reliable service in abrasive and corrosive applications.

The one-piece, durable ductile iron body is offered in a compact wafer style for ease of handling and installation.

Shown with stem cover (optional).

- 1 Designed for easy, quick conversion between manual and pneumatic actuation. Featuring a lubricant injection port for continuous, smooth operation with minimal maintenance.
- 2 Clevis design and horizontal bolting stabilizes gate ensuring proper alignment.
- 3 Standard multi-layer square packing provides exceptional gland sealing.
- 4 Optional energized quad seal packing for enhanced gland sealing.
- 5 Polyurethane body liner is rated up to 90°C/194°F and completely protects valve body from abrasive line media.
- 6 Deflection resistant gate design ensures consistent alignment for industry leading durability.



Standard Construction

Body	Gate	Liner	Stem	Gland	Packing	Topworks
DI	304	Polyurethane	304	DI	PTFE impregnated synthetic fiber	Steel

Body Options

Carbon Steel (WCB)

CF8 Stainless Steel

CF8M Stainless Steel

CF3M Stainless Steel

Additional material options may be available upon request. Consult factory for availability.

Gate Options

316, 317 Stainless Steel

SAF 2507 Duplex

SAF 2205 Duplex

17-4PH Stainless Steel

Hastelloy® C

Monel®

Actuator Options

Direct Mounted
Handwheel - Standard (2"-8")

Bevel Gear - Standard (10"-24")

Pneumatic

Hydraulic

Electric

Packing Options

PTFE impregnated synthetic fiber 232°C/450°F

Elastomer 90°C/194°F
Quad Seal

Specifications & Standards

Size Range 2" to 24" (50 - 600mm)

Pressure Rating 150psi (10bar)

Body Style One-piece (Wafer, Lug)

Design Manufacturer Standard
Testing MSS SP-81
Face-to-face MSS SP-81
Certification Canadian CRN
Drilling* ASME B16.5 CL150

*Additional drilling options available. Consult factory for availability.

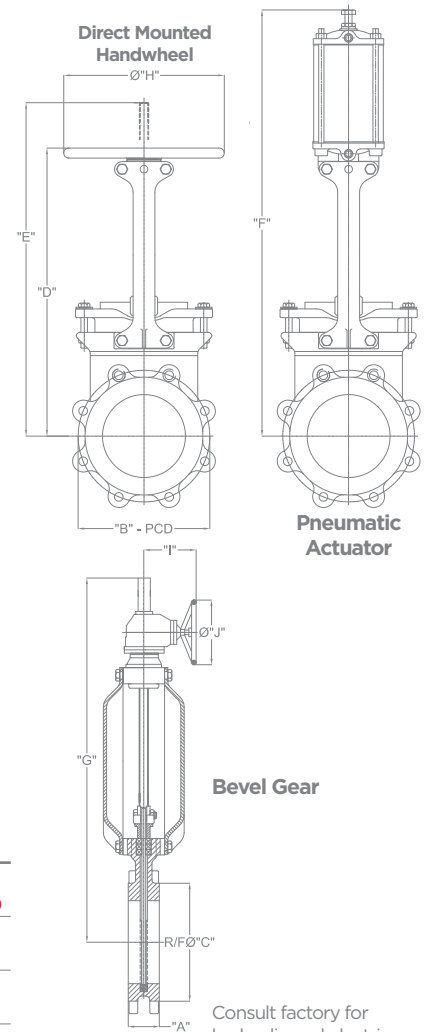
Dimensions

In. (mm)	A	B-PCD	R/FØC	D	E	F	G	ØH	I	ØJ
2	1.89	4.76	3.62	14.37	15.55	20.47	--	10.00	--	--
50	48	121	92	365	395	520	--	254	--	--
3	2.01	6.02	5.00	16.46	18.54	23.03	--	10.00	--	--
80	51	153	127	418	471	585	--	254	--	--
4	2.01	7.52	6.18	17.64	22.13	26.65	--	10.00	--	--
100	51	191	157	448	562	677	--	254	--	--
5	2.24	8.50	7.32	20.08	23.82	29.92	--	12.01	--	--
125	57	216	186	510	605	760	--	299	--	--
6	2.24	9.53	8.50	21.65	28.15	31.50	28.54	12.01	11.65	20.00
150	57	242	216	550	715	800	725	299	296	508
8	2.76	11.77	10.63	26.30	34.17	39.76	34.45	15.98	11.65	20.00
200	70	299	270	668	868	1010	875	406	296	508
10	2.76	14.25	12.76	--	--	44.69	42.20	--	11.65	20.00
250	70	362	324	--	--	1135	1072	--	296	508
12	2.99	17.01	14.76	--	--	50.98	50.20	--	11.65	20.00
300	76	432	375	--	--	1295	1275	--	296	508
14	2.99	18.74	16.26	--	--	58.35	56.38	--	12.05	20.00
350	76	476	413	--	--	1482	1432	--	306	508
16	3.50	21.26	18.50	--	--	66.14	61.30	--	12.05	20.00
400	89	540	470	--	--	1680	1557	--	306	508
18	3.50	22.76	21.02	--	--	69.88	68.50	--	12.05	20.00
450	89	578	534	--	--	1775	1740	--	306	508
20	4.49	25.00	22.99	--	--	74.57	75.59	--	12.05	20.00
500	114	635	584	--	--	1894	1920	--	306	508
24	4.49	29.53	27.24	--	--	89.13	87.99	--	12.05	20.00
600	114	750	692	--	--	2264	2235	--	306	508

Dimensions are approximate and subject to change. Consult factory for certified drawings.

Weights

SIZE	in	2	3	4	5	6	8	10	12	14	16	18	20	24
	mm	50	80	100	125	150	200	250	300	350	400	450	500	600
HANDWHEEL	lb	31	44	46	64	71	99	--	--	--	--	--	--	--
	kg	14	20	21	29	32	45	--	--	--	--	--	--	--
PNEUMATIC ACTUATOR	lb	51	57	71	99	112	143	254	359	474	591	695	913	1151
	kg	23	26	32	45	51	65	115	163	215	268	315	414	522
GEAR OPERATOR	lb	--	--	--	--	--	128	212	298	364	445	567	723	1091
	kg	--	--	--	--	--	58	96	135	165	202	257	328	495



Bray International, Inc.
Houston, TX, USA +281.894.5454

Bray/VAAS India
Chennai +91.44.2496.1391

Benelux
Heerhugowaard +31.72.572.1410

Brazil
Paulinia Sp-Brazil +55.19.3517.6161

Canada
Montréal +514.344.2729

Chile
Santiago +56.2739.2966

China
Hangzhou, Zhejiang +86.571.828.52200

Colombia
Bogota +571.876.6084

France
Maubeuge +0033.3.27.59.41.89

Germany
Krefeld +49.2151.53360

India
Gujarat +91.2667.664444

Italy
Milano +39.02.9237.0196

Mexico
Zapopan, Jalisco +52.33.3836.4460

Middle East
Dubai +00971.0.4.887.6979

Pacific
Melbourne, Australia +613.9580.9755

Peru
Lima +511.251.0251

Poland
Oswiecim +48.33.842.1968

Russia
Moscow +7.495.36.36.222

Singapore
Ubi Techpark +65.6742.1428

South Africa
Sandton +27.10.007.3222

South Korea
Seoul +82.2.2190.3809

United Kingdom
Inchinnan +44.141.812.5199



Bray World Headquarters
Houston, TX - USA



Bray India



Bray/VAAS India

To find a distributor in your area visit us online at www.bray.com