

Mark 695 Series

Piloted Tank Blanketing Regulator 2"

The 2" Mark 695 is an internally piloted tank blanketing regulator.

- Elastomer seals in the form of o-rings are used throughout and are offered as Buna-N, EPDM, and Viton as standard.
- Preformed Jorlon is used for the diaphragm for maximum sensitivity to minute pressure changes inside the tank.
- The outlet ranges are 0.7-5.4 wc and 4-18 wc.
- Operating inlet pressures are determined by set point.
- An inlet filter w/dripwell is standard to prevent clogging of the bleed orifices in the upper and lower pilot cages.

OPTIONAL FEATURES

- Adaptable for inline and angle body service
- Purge system and outlet gauges available
- FNPT threaded and flanged end connections available



SPECIFICATIONS

Sizes: 2" NPS (DN 50)

End Connections:

- 2" Threaded Ends – FNPT in an Angled or Straight Thru format
- Flanged – ANSI, DIN JIS
- Others - Socket Weld or Butt Weld

Body Materials

- Carbon Steel (WCB)
- 316L Stainless Steel (CF3M)

Trim Materials

- All wetted parts - Stainless Steel, 316/316L

Body Seals: Buna-N, EDPM, Viton & PTFE Gasket

Soft Seat: BUNA-N, EDPM, VITON to match body seals

Diaphragm: Pre-Formed Jorlon

Shut Off: Class VI (ANSI/FCI 70-3-2016)

Weight: 43 lbs (NPT) (19.5kg)

Flow Capacity: Cv (Kv): 10 (8,6), 19 (16,3), 28 (24,1), 48 (41,3)

Sizing Instructions: Use JVCV. All Valves are sized according to API 2000

Maximum Allowable Inlet Pressure: 200 psig max inlet @ 100°F (13,8 bar @ 38°C)

Maximum Operating Inlet Pressure: 200 psig max inlet @ 100°F (13,8 bar @ 38°C)

Set Pressures:

- 0.7 – 5.4 wc (1,74 mb - 13,4 mb)
- 4 – 18 wc (9,96 mb - 44,84 mb)

Maximum Outlet Pressure: 25 psig (1,7 bar)

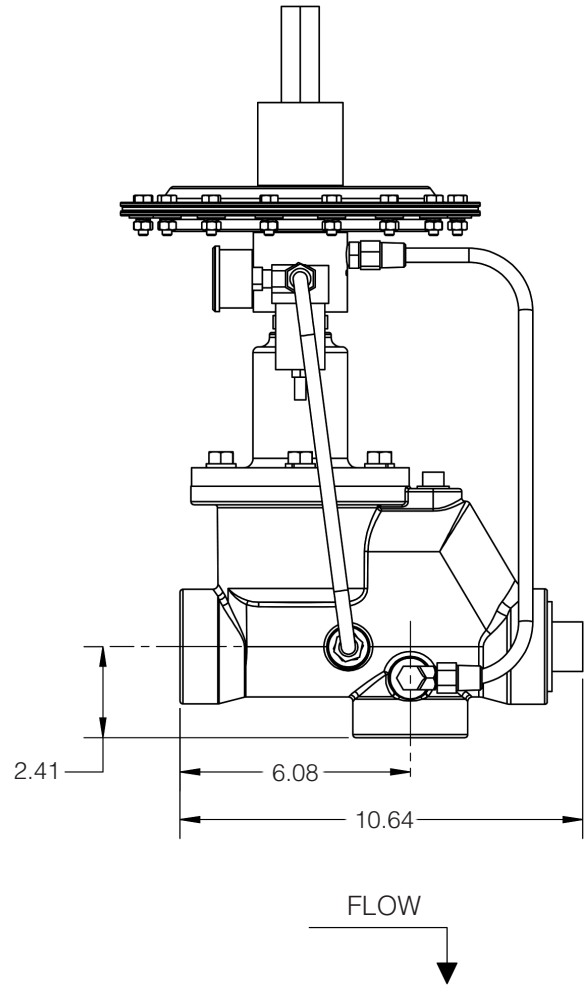
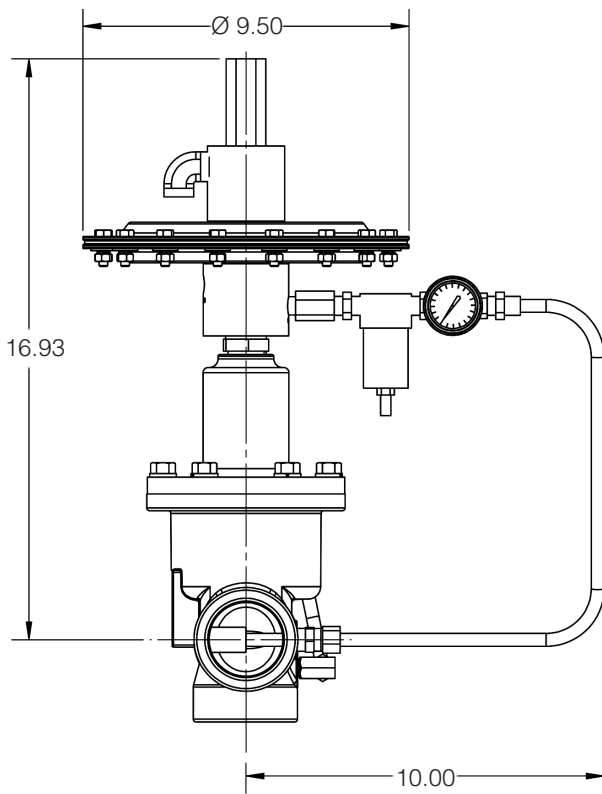
Pressure @ Maximum Operating Temperature: 200 psi max inlet @ 250°F (13,8 bar @ 121°C)

Maximum Pressure Drop: 200 psig max ΔP (13,8 bar)

Set Point	Maximum Inlet Pressure (Consult Factory for Higher Inlet Pressures)
	2" Size
0.7 - 1.0 wc (1,7 - 2,9 mb)	100 psig(6,9 barg)
1.05 - 14 wc (2,6 - 34,8 mb)	150 psig (10,3 barg)
14.1 - 18 wc (35,1 - 44,8 mb)	200 psig (13,8 barg)
Inlet Pressure	
Minimum	25 psig (1,7 barg)
Recommended	≥ 35 psig (2,41 barg)

DIMENSIONS

2" MK695



ORDERING SCHEMATIC FOR MK695

Model No	Size	Body Mat'l	1	2	3	4	5	6	7	8	9	10	11	12

Model	
695	Piloted Tank Blanketing Regulator

5 & 6	Cv (Kv)
10	10 Cv (8,6 Kv)
19	19 Cv (16,3 Kv)
28	28 Cv (24,1 Kv)
48	48 Cv (41,3 Kv)

Size	
200	2"

7 & 8	Range
A7	0.7-5.4" W.C.
A8	4-18" W.C.
ZZ	Non-Standard

Body Material	
6L	Stainless Steel (CF3M)
CS	Carbon Steel (WCB)
ZZ	Non-Standard

9 & 10	Actuator
S1	Standard
ZZ	Non-Standard

1 & 2	End Connections
PT	NPT
F3*	300# Flanged - angle body version
F5*	150# Flanged - angle body version
ZZ	Non-Standard

11 & 12	Accessory
G2	Outlet Gauge 0 - 6" W.C.
IL	In-line Body Option (FNPT only)
P1	Purge System
ZZ	Non-Standard

* Consult Factory for inline version

3 & 4	Trim Material
BN	Buna-N / 316
VI	Viton / 316
EP	EPDM / 316

CAUTION: The following information is subject to change. Product Numbers and Description should be checked with the Factory for accuracy before Order Entry.



Jordan Valve a division of Richards Industries
 3170 Wasson Road • Cincinnati, OH 45209
 513.533.5600 • 800.543.7311 • 513.871.0105 (f)
 info@richardsind.com • www.jordanvalve.com