

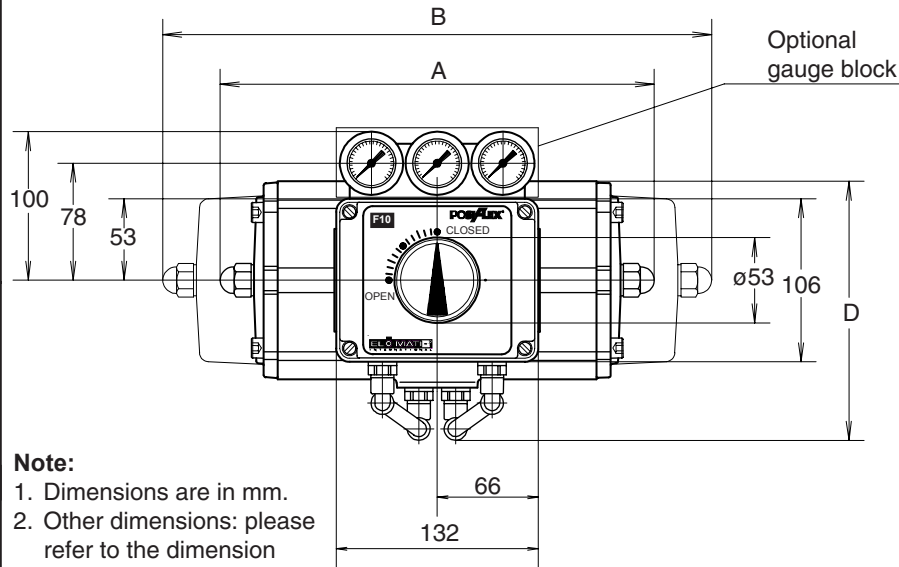
Subject to change without notice

VALVE AUTOMATION SYSTEMS

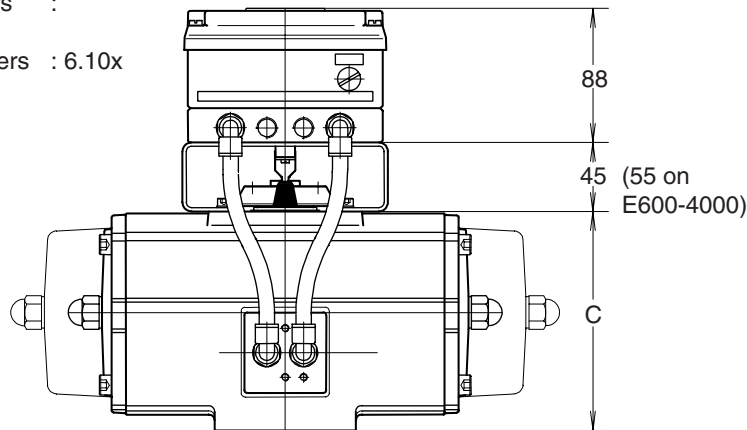
www.elo-matic.com
ELO-MATIC[®]

All rights reserved
3.301.1
Nr.:

Date:
June '05



- Note:**
- Dimensions are in mm.
 - Other dimensions: please refer to the dimension sheets:
 - Actuators : 1.103.xxx
 - Positioners : 6.10x



Dim. in mm.	Actuator type										
	E25	E40	E65	E100	E200	E350	E600	E950	E1600	P2500	P4000
A PD/ED	159	180	199	221	283	305	387	424	516	378	502
B PE/ES	172	204	249	267	360	387	477	517	637	570	834
C	80	93	105	118	143	181	220	259	297	356	380
D	141	141	141	152	172	217	252	277	310	393	425

Description

The PosiFlex Pneumatic Positioner is a simple, single stage, displacement balance instrument. It provides stepless positional control for a wide variety of rotary pneumatic actuators, a single universal model can be used for double acting or single acting applications.

The basic design incorporates a high enhancement flapper and nozzle spool valve and a adjustable range and reversing mechanical feedback, this permits it to be simply adjusted for all the normal control functions such as split range, reverse acting, etc. without the use of additional components.

The modular construction allows the addition of a wide range of control options, these include micro switches, inductive switches, pressure gauges, position transmitters and volume boosters.

Mounting is to Industry Standard VDI/VDE 3845(NAMUR), with the drive coupling spring loaded for zero backlash.

General Specification

Hysteresis	: 0.6%	Mounting	: VDI/VDE 3845
Linearity	: 1.0%	Air Entry	: G 1/4"
Air flow	: 210 NI/min.(at 6 bar)	Air Supply	: 1.4 to 8.6 bar.
Air Consumption	: 15 NI/min. (at 6 bar)	Input Signal	
Min. volume actuator	: 0.1 L	- Standard	: 0.2 to 1.0 bar.
Temperature	: -20° to +80° C	- Adjustable (Optional)	: 0.2 to 0.6 bar or 0.6 to 1.0 bar.
Enclosure	: IP 65		

Media

- : Non-lubricated instrument air, filtered at 25 micron.
- : Dew point should be 10°C below environmental temperatur.
- : Air quality class 3-2-3 accord. to ISO 8573-1.

Identification:

F10 for pneumatic positioner

Materials

- : Housing : Aluminium Alloy
- : Mechanical parts : Stainless steel
- : Finish : Polyester powder coated

Modular Control Options

- G1 : Gauge block, for instrument and two output pressure
- G2 : Gauge block, for supply and two output pressure
- PT2 : Position transmitter - 2 wire
- S2 : Two Mechanical Switches
- IS2 : Two Inductive Switches - 2 Wire (Intrinsically safe)
- PNP : Two Inductive Switches - 3 Wire
- POT : Potentiometer

EL-O-MATIC ACTUATOR WITH PNEUMATIC POSITIONER

F10