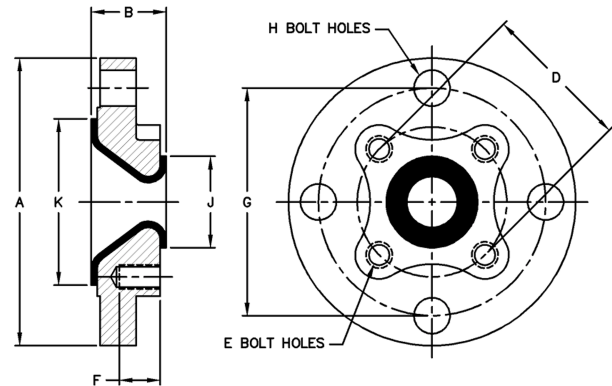


Ductile Iron Reducing Filler Flanges

PTFE-Lined, 150lb. Flanged

Ductile Iron conforms to ASTM A395.

All sizes are Full Vacuum Rated to 450°.



Major Size (NPS)	Minor Size (NPS)	Part Numbers	Thick ness	OD	H - Bolt Holes			E - Bolt Holes				Flare Diameters		Bolt Hole Rotation	
					No.	Size	Bolt Circle Dia. G	No.	Size	Bolt Circle Dia. D	Depth F	K	J		
			B	A											
1	.5	3T00M0VV00170	1 5/8	4 1/4	4	5/8	3 1/8	4	1/2-13	2 3/8	7/8	2	1 3/8	45°	
	.75	3T00M0VV00190								2 3/4			1 11/16		
1.5	1	3T00M0VV00B10	1 9/16	5	4	5/8	3 7/8	4	1/2-13	3 1/8	7/8	2 7/8	2	45°	
2	1	3T00M0VV00210	1 9/16	6	4	3/4	4 3/4	4	1/2-13	3 1/8	7/8	3 5/8	2	45°	
	1.5	3T00M0VV002B0								3 7/8			2 7/8		
2.5	2	3T00M0VV0CC20	1 9/16	7	4	3/4	5 1/2	4	5/8-11	4 3/4	7/8	4 1/4	3 5/8	45°	
3	1	3T00M0VV00310	1 5/8	7 1/2	4	3/4	6	4	1/2-13	3 1/8	3/4	5	2	45°	
	1.5	3T00M0VV003B0								3 7/8			2 7/8		
	2	3T00M0VV00320	1 3/4							4 3/4	7/8		3 5/8		
	2.5	3T00M0VV0C3C0	1 5/8							5 1/2	4 1/8				
4	1	3T00M0VV00410	1 7/8	9	8	3/4	7 1/2	4	1/2-13	3 1/8	11/16	6 3/16	2	None	
	1.5	3T00M0VV004B0	1 5/8							3 7/8			2 7/8		
	2	3T00M0VV00420	2							4 3/4	7/8		3 5/8		
	3	3T00M0VV00430	1 3/4							6	5				
5	4	3T00M0VV0C540	1 5/8	10	8	7/8	8 1/2	8	5/8-11	4	1	7 5/16	6 3/16	22 1/2°	
6	1.5	3T00M0VV006B0	1 7/8	11	8	7/8	9 1/2	4	1/2-13	3 7/8	11/16	8 1/2	2 7/8	None	
	2	3T00M0VV00620								5	3/4		3 5/8		
	3	3T00M0VV00630	1 3/4							5/8-11	6		1		5
	4	3T00M0VV00640	2 1/8							7 1/2	7/8		6 3/16		
	5	3T00M0VV0C650	1 3/4					3/4-10	8 1/2	1	7 5/16		22 1/2°		
8	4	3T00M0VV00840	2	13 1/2	8	7/8	11 3/4	8	5/8-11	7 1/2	7/8	10 5/8	6 3/16	22 1/2°	
	6	3T00M0VV00860							3/4-10	9 1/2	1 1/8		8 1/2	None	
10	4	3T00B0VV00E40	2 7/16	16	12	1	14 1/4	8	5/8-11	7 1/2	7/8	12 3/4	6 3/16	None	
	6	3T00B0VV00E60							9 1/2	1	8 1/2				
	8	3T00B0VV00E80							11 3/4	10 5/8					