

CleanFLOW™ SB7F ball valves are forged versions of our popular SB7 and engineered to be a true process piping component to specifically meet the demanding processes found in the pharmaceutical industries. The "Tube-ID" port opening is dimensionally identical to the adjacent tubing to comply with ASME-BPE guidelines. The SB7F features controlled delta ferrite chemistry.

## SERIES SB7F DESIGN FEATURES

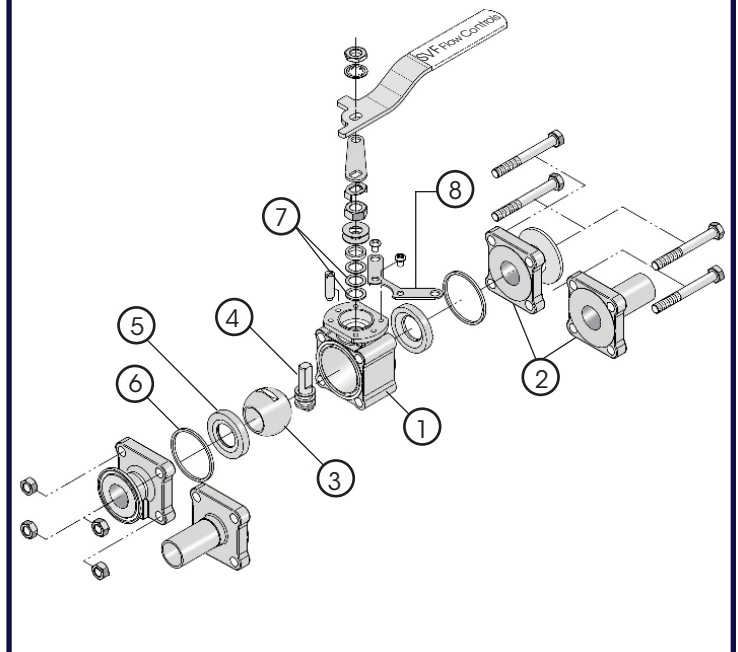
- ✓ ASME-BPE compliant
- ✓ Standard interior finish is 20Ra or better
- ✓ Cavity filled seat option available
- ✓ Exclusive "Fine Adjust" handle for precise positioning on sizes 1/2" ~ 2"
- ✓ Drainable design with "Tube-ID" dimensions
- ✓ Integral ISO 5211 mounting pad for easy actuation
- ✓ Chevron (V-Ring) Stem Seals assures low friction and leak tight performance (Sizes 2-1/2" ~ 4" only)
- ✓ Encapsulated body seals to facilitate welding without disassembly
- ✓ End connections include Tri-Clamp and Extended Tube O.D.
- ✓ Standard TFM1600™ seat material complies with 21 CFR 177.1550
- ✓ Controlled delta ferrite chemistry



The Series SB7 Ball Valve is available with additional options. Contact SVF for more information.

## MATERIALS OF CONSTRUCTION

ITEM #	DESCRIPTION	MATERIALS SPECIFICATIONS (Additional options available)
1	Body	316L Stainless Steel (ASTM A182-F)
2	End Connector	316L Stainless Steel (ASTM A182-F)
3	Ball	316L Stainless Steel (ASTM A182-F)
4	Stem	316L Stainless Steel (ASTM A276-316L)
5	Seat	TFM1600™
6	Body Seal	TFM1600™
7	Stem Seal	TFM1600™
8	Locking Device (Optional)	304 Stainless Steel



## SPECIFICATION STANDARDS OF COMPLIANCE

SVF Series SB7F Ball Valves are available in designs that meet the following Industry Standards:

- ANSI
- ASME
- API
- DIN
- ISO
- MSS
- BPE
- NACE
- ASTM

Contact SVF for specific applications

There are no elastomers used for any of the components on the SB7F valves.

Only TFM is used for seats and seals.

What do you need today?™

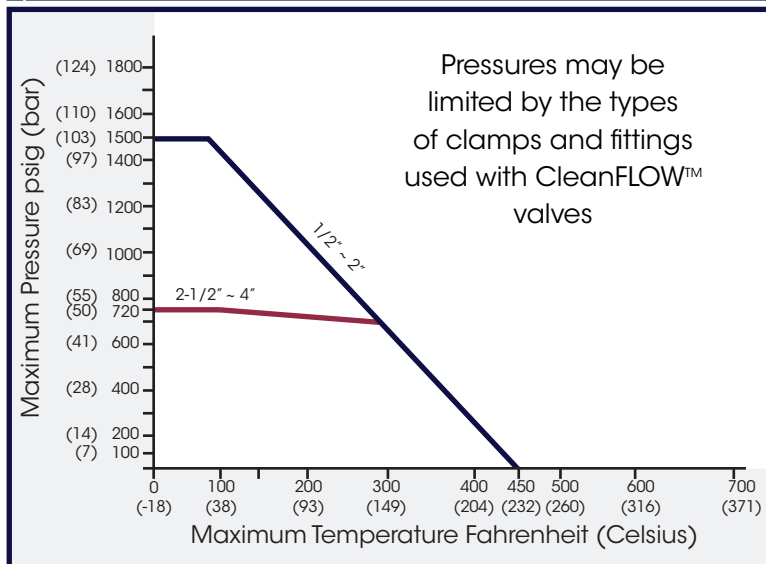
HIGH PURITY  
CleanFLOW™

PRO-SPEC  
PROCESS SPECIFIC

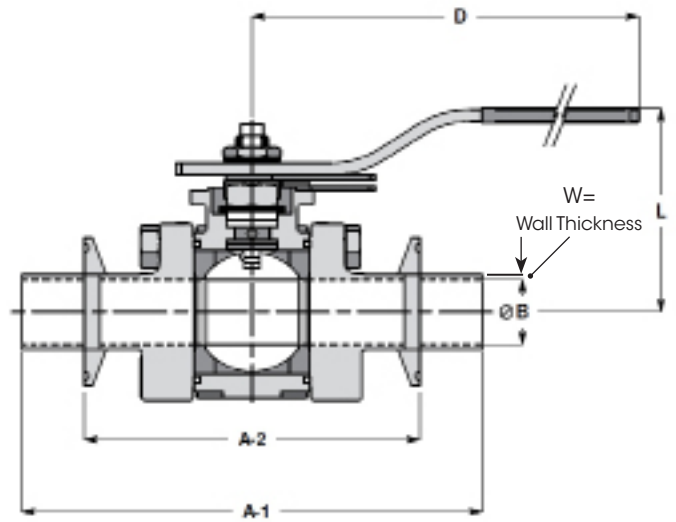
QUALITY FLOWS  
THROUGH US

**DIMENSIONS, WEIGHT, Cv, TORQUE**

Size	A-1		A-2		B		D		L		W		Weight		Cv	Torque*	
	in.	mm	in.	mm	in.	mm	in.	mm	in.	mm	in.	mm	lbs	kg		in-lbf	Nm
1/2"	5.50	140	3.50	89	0.37	9	5	114	2.22	56	0.065	1.7	2	0.9	8	60	7
3/4"	6.00	152	4.00	102	0.62	16	5	114	2.28	58	0.065	1.7	2	0.9	29	60	7
1"	6.50	165	4.50	114	0.87	22	6	146	2.56	65	0.065	1.7	4	1.8	66	100	11
1-1/2"	7.50	191	5.50	140	1.37	35	7	178	3.09	78	0.065	1.7	8	3.6	192	200	23
2"	8.00	203	6.25	159	1.87	47	7	178	3.45	88	0.065	1.7	13	5.9	434	250	28
2-1/2"	9.50	241	6.75	171	2.37	60	10	254	5.35	136	0.065	1.7	20	9.2	723	450	51
3"	10.50	267	7.00	178	2.87	73	14	348	6.55	166	0.065	1.7	37	16.8	1124	1300	147
4"	12.50	318	8.50	216	3.83	97	22	559	7.14	181	0.083	2.1	53	24.0	2100	1400	158

**SB7F - PRESSURE/TEMPERATURE CHART**


\* At full differential pressure for clean fluids with TFM1600™ Non-Cavity Filled Seats


**HOW TO ORDER SERIES SB7F BALL VALVES**

Please refer to the next page for our comprehensive How to Order Guide for Series SB7F Ball Valves.

Ordering Code Sequence (Columns 1 thru 11)

1	2	3	4	5	6
SERIES	BODY	ENDS	BALL	STEM	SEAT MATERIAL
SB7F = Series SB7F Forged	6 = 316L Forged Stainless Steel ASTM A182-F	6 = 316L Forged Stainless Steel ASTM A182-F	6 = 316L Forged Stainless Steel ASTM A182-F	6 = 316L Barstock Stainless Steel ASTM A276-316L	A = TFM1600™  Q = TFM1600™ Cavity Filled
7	8	9	10	11	
BODY SEAL	END CONNECTIONS	VALVE SIZE	OPTIONS*	SPECIAL SERVICES*	
A = TFM1600™	TR0 = Tri-Clamp Ends  ETO = Extended Tube-OD Ends  JAA = Tri-Clamp End X Extended Tube-OD End  (Tri-Clamp End is under the handle on manual valves)  JAH = Extended Tube-OD End X Tri-Clamp End (Extended Tube-OD End is under the handle on manual valves)	005 = 1/2"  007 = 3/4"  010 = 1"  015 = 1-1/2"  020 = 2"  025 = 2-1/2"  030 = 3"  040 = 4"	00 = None OH = Oval Handle LK = Locking Device SX = ISO Cast Stem Extension BX = Bar Stem Extension AD = Anti-Static Device SC = Secondary Containment AA = Oval Handle & Locking Device  AB = Oval Handle & ISO Cast Stem Extension AC = Locking Device & Anti-Static Device AG = ISO Cast Stem Extension & Locking Device JA = Oval Handle, ISO Cast Stem Extension & Locking Device JE = Locking Device, ISO Cast Stem Extension & Anti-Static Device	00 = None XC = Oxygen Cleaned EP = Electropolished HS = High Cycle Stem Kit (Sanitary Valve) VV = Vacuum & Searching Gas Stem Kit  SA = 15Ra ID Finish SB = 10Ra ID Finish  SC = 5Ra ID Finish AA = Electropolished & 15Ra ID Finish AB = Electropolished & 10Ra ID Finish AC = Electropolished & 5Ra ID Finish AD = Oxygen Cleaned & Electropolished JA = Electropolished, Oxygen Cleaned & 15Ra ID Finish JB = Electropolished, Oxygen Cleaned & 10Ra ID Finish	

Order Example: (SB7F6666AATR00050000) The Part Number will contain 20 digits.

Ordering Code Sequence >>	1	2	3	4	5	6	7	8	9	10	11
Sample Part Number >>	SB7F	6	6	6	6	A	A	TR0	005	00	00
	Valve Series	Body Material	End Material	Ball	Stem	Seat Material	Seat Material	End Connections	Valve Size	Options*	Special Services*

\* Not all Options or Special Services available on all ball valves. Consult SVF for additional information.