



ITT



Pure-Flo® Zero Static Inverted with Drain (ZID)

Zerostatic Inverted Drain valves integrate the benefits of a zero static for low point feed or return lines while allowing for cleaning, sterilization or and/or draining of the connected process piping.

Typical Applications

- For line feed applications that require the ability to drain the up stream line

Specifications

Standard Sizes:

- 0.5" - 4" (DN 15 - 100) Run, Main and Drain size
- Other sizes available upon request

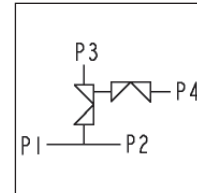
Materials:

- 316L ASTM - A479
- DN 177440, 1.4435
- AL6XN
- Hastelloy C-22 & C-276
- Other materials available upon request

Standard End Connections:

- 14, 16, 18, 20 Gauge OD tubing
- DIN/ISO
- Tri-Clover Tri-Clamp®
- Others available upon request

Compatible with standard Pure-Flo topworks: See PFTOP for details on available manual bonnets or actuator.



Flow Path



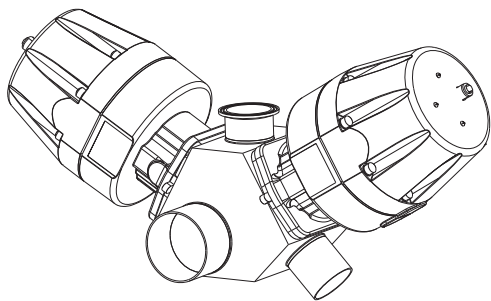
How to Order a Zero Static Inverted with Drain

1" Inverted Zero Static with Drain, 2" Zero Static tube size, wrought stainless steel body, Tri-Clamp ends, .5" Bio-Tek Second Valve with Tri-Clamp outlet connection on right side of valve, 25 Ra interior finish, standard exterior finish (Scotch Brite).

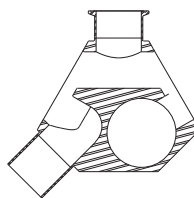
Figure Number: ZID-1-419-2-419-.5-SVBT-419-R-W-6-1-0

Configuration Example		ZID	1		419	2	419	.5	SVBT	419	R	W	6-1-0
Valve Body	Block Type	ZID											
	Main Valve Size		1										
	Main Valve Type (.5" only) ¹												
	Main Valve End Connection				419								
	Zerostatic Tube Size					2							
	Zerostatic Tube End Connection						419						
	Second Valve Size							.5					
	Second Valve Type (.5" only) ¹								SVBT				
	Second Valve End Connection									419			
	Second Valve Outlet Orientation (optional)										R		
Body Material											W		
Polish Selections												6-1-0	

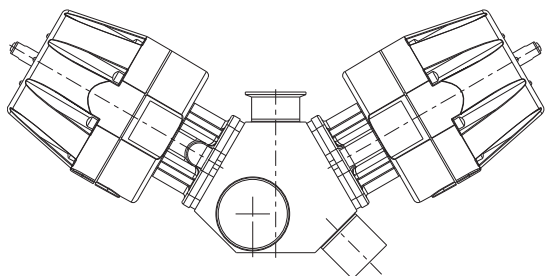
¹ For .5 inch valve, must specify Pure-Flo (PF) or Bio-Tek (BT).
To add topworks, see BBTOP. For additional figure numbers, see PFORD.



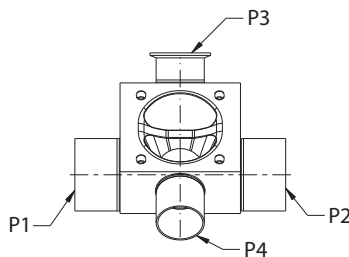
ISOMETRIC VIEW



SECTION A-A



FRONT VIEW



SIDE VIEW

Please contact ITT Engineered Valves for the latest drawing and dimensional information. The above drawing should only be used as a general reference.

Engineered Valves, LLC
33 Centerville Road
Lancaster, PA 17603
(717) 509-2200

ITT Pure-Flo (UK) Ltd
Richards Street
Kirkham, Lancashire
PR4 2HU, England