



ITT



Pure-Flo® Zero Static Block Body with Back Outlet Option (ZSBBT-BO)

The ZSBBT-BO valve provides all the advantages of the standard zero static valve for transferring, sampling, draining and diverting critical fluids, while minimizing the vertical space required. Porting the outlet from the back of the valve substantially reduces the space necessary when piping would require a 90° elbow to change the direction.

Typical Applications

- Low clearance areas below WFI and process vessels.
- Skidded process systems such as CIP.

Specifications

Standard Sizes:

- 0.25" - 2" (DN 8 - 50) Valve size
- 0.5" - 4" (DN 15 - 100) Run size
- Other sizes available upon request

Materials:

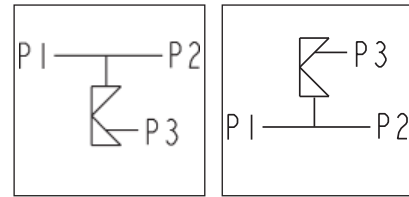
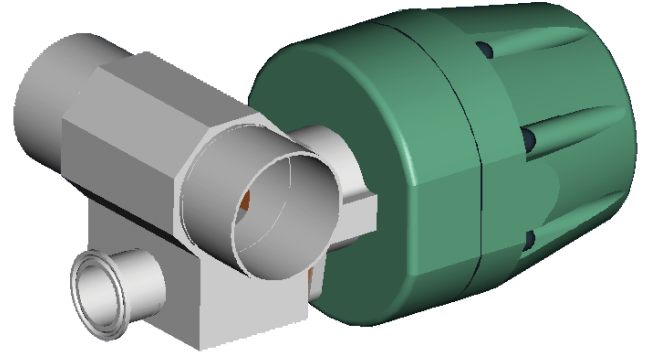
- 316L ASTM - A479
- DN 177440, 1.4435
- AL6XN
- Hastelloy C-22 & C-276
- Other materials available upon request

Standard End Connections:

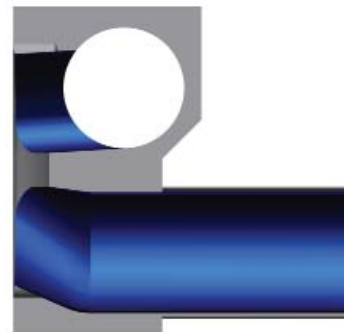
- 14, 16, 18, 20 Gauge OD tubing
- DIN/ISO
- Tri-Clover Tri-Clamp®
- Others available upon request

Available with Zero Static Tee on U-Bend

Compatible with standard Pure-Flo topworks: See PFTOP for details on available manual bonnets or actuator.



Flow Path



How to Order a Zero Static Block Body with Back Outlet Option

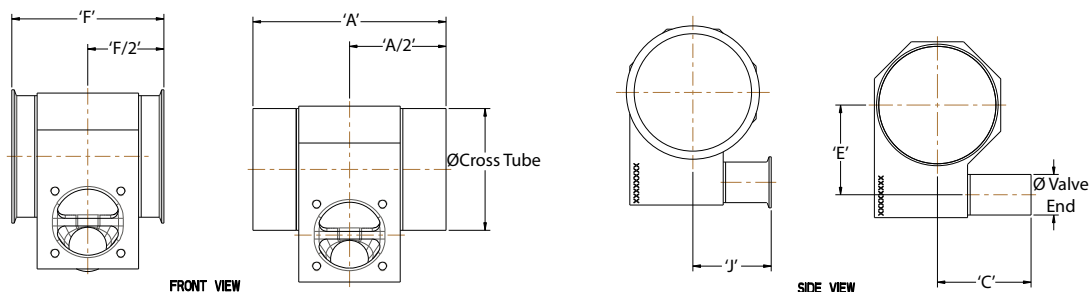
1" Zero Static Block with Back Outlet, wrought stainless steel, Tri-Clamp end connection, 2" cross tube (run) with butt weld ends, 25 Ra interior finish, standard exterior finish (Scotch Brite).

Figure Number: ZSBBT-BO-2-W-419-4-X29-6-1-0

Configuration Example		ZSBBT	BO	2	W	419	4	X29	6-1-0
Valve Body	Block Type	ZSBBT							
	Zero Static Option		BO						
	Valve Size			2					
	Material				W				
	Body End Connection					419			
	Zerostatic Tube Size						4		
	Zerostatic Tube End Connection							X29	
	Polish Selections								6-1-0

To add topworks, see BBTOP. For additional figure numbers, see PFORD.

Valve end	Dims	Cross Tube								
		0.50 [12,7]	0.75 [19,0]	1.00 [25,4]	1.50 [38,1]	2.00 [50,8]	2.50 [63,5]	3.00 [76,2]	4.00 [101,6]	
0.50 [DN15]	0.50 [12,7]	'A'	5.25 [133,4]	5.25 [133,4]	5.25 [133,4]	5.25 [133,4]	5.75 [146,0]	5.75 [146,0]	5.75 [146,1]	6.25 [158,8]
		'C'	1.93 [48,9]	2.00 [50,8]	2.13 [54,0]	2.38 [60,3]	2.63 [66,7]	2.88 [73,0]	3.13 [79,4]	3.63 [82,1]
		'E'	0.74 [18,9]	0.88 [22,5]	1.02 [25,9]	1.28 [32,6]	1.54 [39,2]	1.80 [45,8]	2.06 [52,4]	2.58 [65,4]
		'F'	3.25 [82,6]	3.25 [82,6]	4.50 [114,3]	4.50 [114,3]	4.50 [114,3]	4.50 [114,3]	4.50 [114,3]	4.50 [114,3]
		'J'	1.47 [37,4]	1.57 [40,0]	1.62 [41,0]	1.83 [46,5]	1.92 [48,8]	2.02 [51,2]	2.11 [53,6]	2.18 [55,4]
0.75 [DN20]	0.75 [19,0]	'A'		5.75 [146,0]	5.75 [146,0]	5.75 [146,0]	6.25 [158,8]	6.25 [158,8]	6.25 [158,8]	6.75 [171,4]
		'C'		2.00 [50,8]	2.13 [54,0]	2.38 [60,3]	2.63 [66,7]	2.88 [73,0]	3.13 [79,4]	3.63 [92,1]
		'E'		0.94 [23,9]	1.13 [28,6]	1.35 [34,3]	1.61 [40,9]	1.87 [47,5]	2.13 [54,1]	2.64 [67,0]
		'F'		3.75 [95,1]	5.00 [127,0]	5.00 [127,0]	5.00 [127,0]	5.00 [127,0]	5.00 [127,0]	5.00 [127,0]
		'J'		1.58 [40,1]	1.68 [47,7]	1.83 [46,4]	1.98 [50,3]	2.07 [52,7]	2.17 [55,1]	2.37 [60,2]
1.00 [DN25]	1.00 [25,4]	'A'			6.14 [156,0]	6.14 [156,0]	6.64 [168,7]	6.64 [168,7]	6.64 [168,7]	7.14 [181,4]
		'C'			2.13 [54,0]	2.38 [60,3]	2.63 [66,7]	2.88 [73,0]	3.13 [79,4]	3.61 [91,7]
		'E'			1.28 [32,4]	1.54 [39,2]	1.81 [46,0]	2.07 [52,6]	2.33 [59,2]	2.83 [71,9]
		'F'			5.38 [136,7]	5.38 [136,7]	5.38 [136,7]	5.38 [136,7]	5.38 [136,7]	5.38 [136,7]
		'J'			1.67 [42,4]	1.76 [44,6]	1.91 [48,4]	2.12 [53,9]	2.22 [56,3]	2.43 [61,6]
1.50 [DN40]	1.50 [38,1]	'A'				7.25 [184,2]	7.75 [196,8]	7.75 [196,8]	7.75 [196,8]	8.25 [209,6]
		'C'				2.38 [60,3]	2.63 [66,7]	2.88 [73,0]	3.13 [79,4]	3.63 [92,1]
		'E'				1.87 [47,4]	2.13 [54,2]	2.40 [61,0]	2.66 [67,6]	3.17 [80,4]
		'F'				6.50 [165,1]	6.50 [165,1]	6.50 [165,1]	6.50 [165,1]	6.50 [165,1]
		'J'				1.68 [42,8]	1.83 [46,5]	1.92 [48,7]	2.14 [54,2]	2.34 [59,4]
2.00 [DN50]	2.00 [50,8]	'A'					8.75 [222,3]	8.75 [222,3]	8.75 [222,3]	9.25 [235,0]
		'C'					2.63 [66,7]	2.88 [73,0]	3.13 [79,4]	3.63 [92,1]
		'E'					2.38 [60,4]	2.65 [67,2]	2.91 [74,0]	3.42 [86,8]
		'F'					7.50 [190,5]	7.50 [190,5]	7.50 [190,5]	7.50 [190,5]
		'J'					1.96 [49,9]	2.05 [52,0]	2.14 [54,3]	2.34 [59,4]



Please contact ITT Engineered Valves for the latest drawing and dimensional information. The above drawing should only be used as a general reference.

Engineered Valves, LLC
33 Centerville Road
Lancaster, PA 17603
(717) 509-2200

ITT Pure-Flo (UK) Ltd
Richards Street
Kirkham, Lancashire
PR4 2HU, England