

JSB Series

CRN Registration Number Available

Compact, High Purity Back Pressure Regulating Valve

J-Pure is the first fully drainable compact back pressure regulator designed and built specifically for hygienic, ASME BPE liquid and gas applications.

Traditionally, regulator manufacturers adapted their industrial gas regulators for use in biopharm by simply changing the construction materials and surface finish. Not so with the J-Pure Series Model JSB.

- It's been designed specifically to eliminate all threaded connections and contaminant traps below the diaphragm.
- It is completely drainable (an industry first in compact hygienic regulator design), and compatible with CIP and SIP practices. See drainability guideline on page 6.
- The simple trim design facilitates quick trim change out and cleaning without valve removal or complete disassembly.

The durable valve body and metal trim components are machined from ASTM A479 316L SST barstock and finished to ASME BPE SF5 (20Ra micro-inch (0,5 Ra μm), electropolished) standard. The valve is outfitted with the rugged Jorlon diaphragm and Teflon or PEEK seats, all FDA approved, USP Class VI compliant materials. These materials of construction enable the JSB to withstand the rigors of continuous SIP and CIP processes if required.

FEATURES

- Fully drainable with no threaded connections, or contaminant traps below the diaphragm
- In-line removable seat and trim significantly reduce maintenance time
- Barstock construction guarantees material integrity and surface finish
- High flow rate coupled with high rangeability reduces need for reduced trim sizes
- Minimized internal volume
- Proprietary Jorlon diaphragm material provides exceptionally long life and CIP/SIP capability, and FDA and USP Class VI compliance
- Soft seat material for ANSI Class VI shutoff

DOCUMENTATION

The following documentation is shipped with each order:

- Steriflow Unicert
 - Traceable Material Heat Number for body and ferrules
 - Certificate of Compliance to FDA and USP Class VI
 - Certificate of Surface Finish
- Final Test Reports and Certificate of Origin, O₂ cleaning, etc., available upon request at time of quote, or order



SURFACE FINISH

- ASME BPE SF5 (20 Ra μin , electropolished) – standard for all external and wetted metal parts
- Other finishes optional
- O₂ cleaning - optional

APPLICATIONS

Typically used in Biopharm or parenteral installations for modulating pressure relief during vessel filling, or for continuous purge venting.

Ideal for use in compact, low flow liquid back pressure applications in buffer dilution, pump head pressure control, and for DP maintenance across filter membranes or chromatography columns.

SPECIFICATIONS

Sizes: 1/2" (DN15) & 3/4" (DN20)

Ends: Clamp, Weld-stub or NPT ends

Soft Seat Materials for ANSI Class VI Shut-Off:

- PTFE to +252°F (122°C) continuous or 275°F (135°C) intermittent [not to exceed 15 min. in a one hour period] FDA, USP Class VI
- PEEK to +350°F (176,7°C) FDA, USP Class VI

Body Material: 316L SST

Diaphragm Material: PTFE-based Jorlon; FDA, USP Class VI

Maximum Inlet Pressure: 150 psig (10,5 bar)

Spring Ranges: 8–40 psi (0,55–2,8 bar); 35–60 psi (2,4–4,1 bar); 50–125 psi (3,4–8,6 bar)

Optional Cleaning Specifications:

- Clean for Oil-Free
- O2 Cleaning complying with ASTM G93-03 2011 and CGA G-4.1-2009

Flow Characteristics:

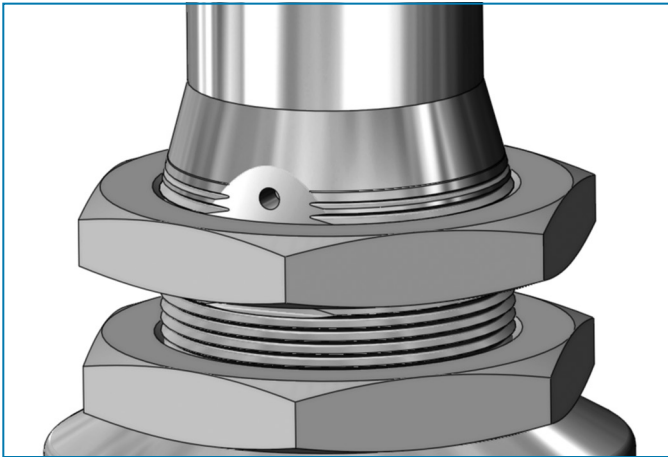
- High Flow: Trim Cv 0.8; Cv for relief valve sizing is 1.9
- Low Flow: Trim Cv 0.5; Cv for relief valve sizing is 0.6

Surface Finish: ASME BPE SF5, 20 Ra µin (0,5 Ra µm) electropolish as standard.

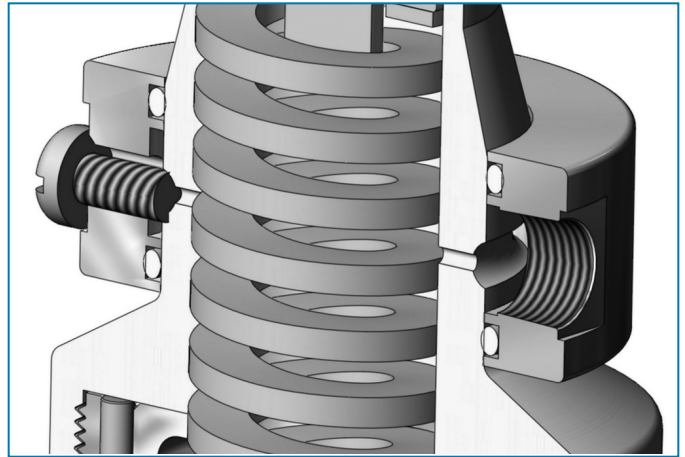
Options:

- Panel Mounting
- Captured Vent
- Inlet-Outlet Gauge

OPTIONS



Panel Mount Option



Captured Vent Option (1/8" NPT)

OPTION DEFINITION

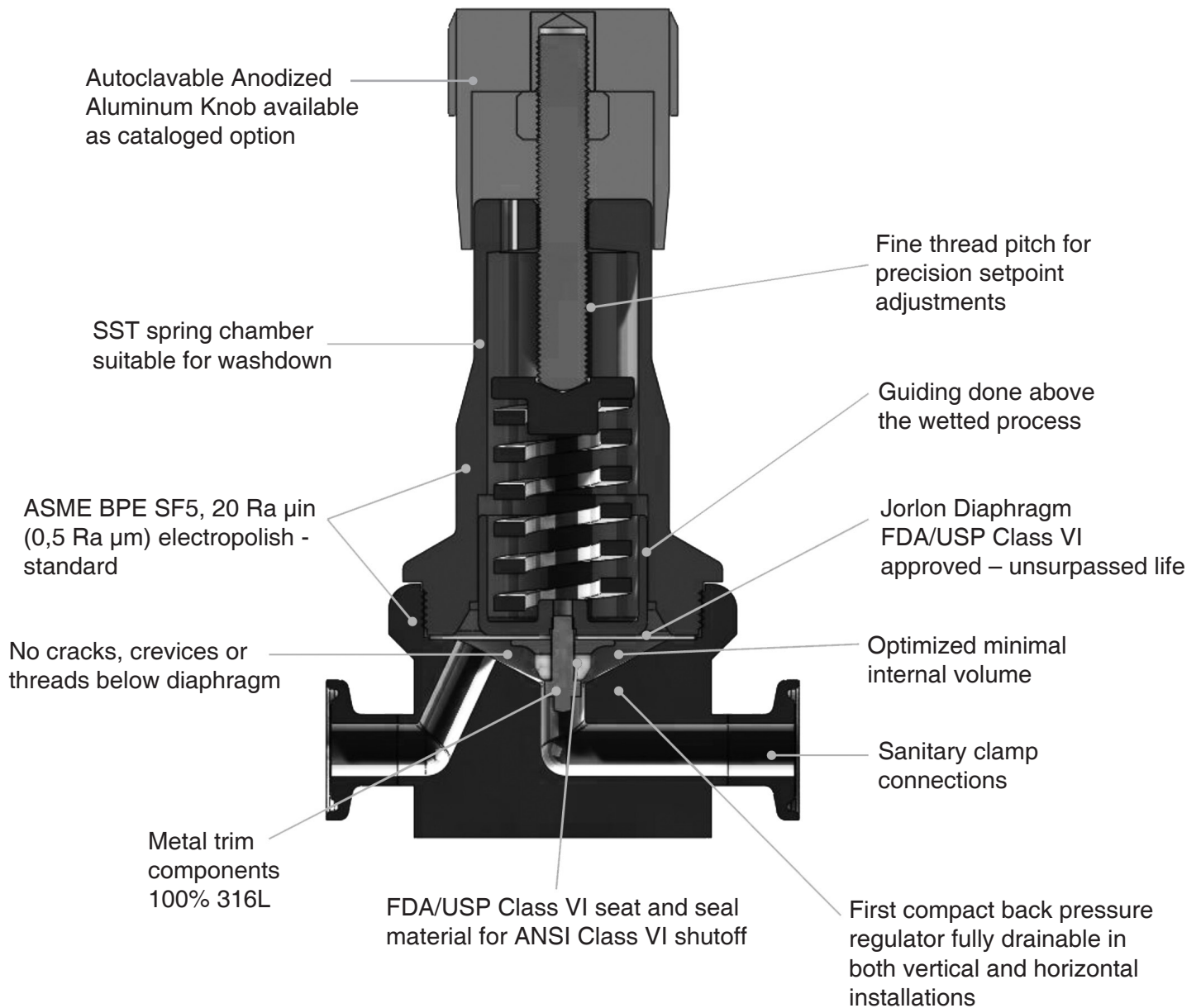
Captured Vent

The captured vent design is for maximum safety for the user when handling toxic or hazardous media. It features a 1/8" FNPT port located on the spring housing. The user can easily tube this vent to a safe location.

Panel Mount

The panel mount feature requires a panel cut out of 1-1/2" allowing insertion of the threaded spring housing, and a panel mount ring to secure the regulator against the panel.

FEATURES & BENEFITS



Use the Steriflow sizing program to select the proper Cv.

1. For **Valve Type**, select "Globe"
2. For **Design Cv**, input .5, or .8.
3. Input the remaining information per your application criteria, and follow the instructions at the top of the page.

Sizing

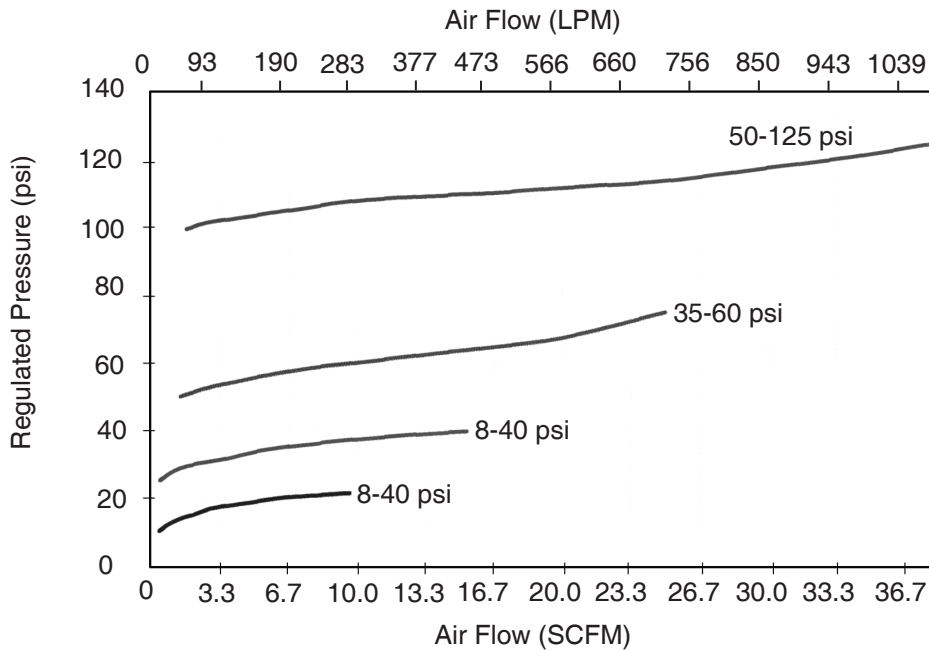
For air flow, you can use the charts below to find the appropriate Cv for your valve. Or you may use the SFCV sizing program. The sizing program is also how you would size the JSB for liquid applications.

1. Download the SFCV program. It can be found on our website home page at www.steriflowvalve.com
2. Use the software to find the appropriate CV for the customer's application conditions.
3. SFCV will tell you the CV needed to pass the required flow. Because the JSB works best under 50% capacity, you need to select a CV for the valve that is at least two times larger than the required Cv.

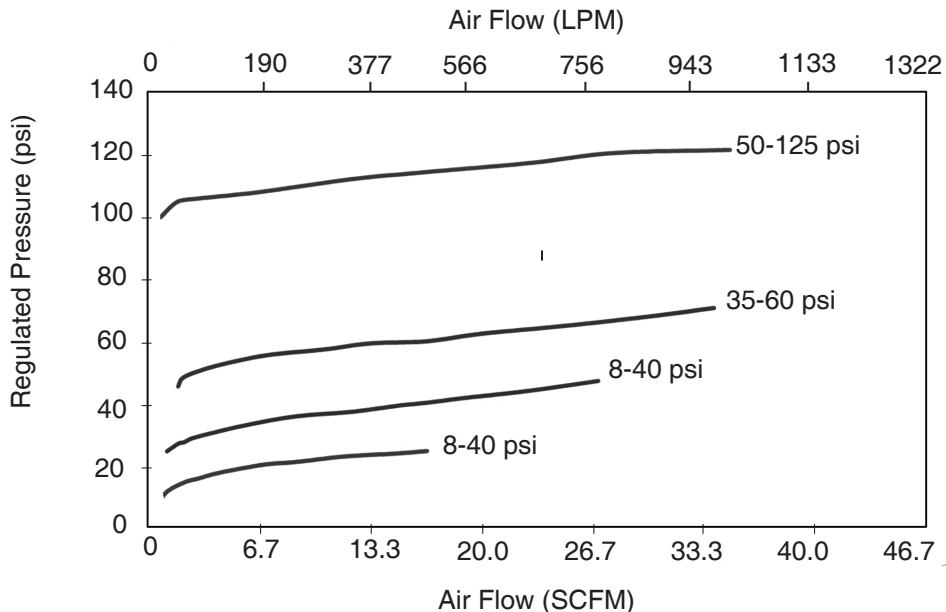
Example: Clean compressed air, at ambient temperature, P1 = 45 psi, P2 = 0 psi, ½" Tri-clamp Connections, flow rate 12 scfm. Using SFCV to size for CV we find that these conditions require an actual CV of 0.37. Calculating for less than 50% capacity we then multiply the result by 2x (0.37x 2 = 0.74). This means that we should choose the 0.8 CV trim to optimize the valve for the conditions.

AIR FLOW AT VARIOUS INLET PRESSURE SET POINTS, USING DIFFERENT SPRING RANGES, WITH OUTLET PRESSURE AT 0 PSIG (0 BARG)

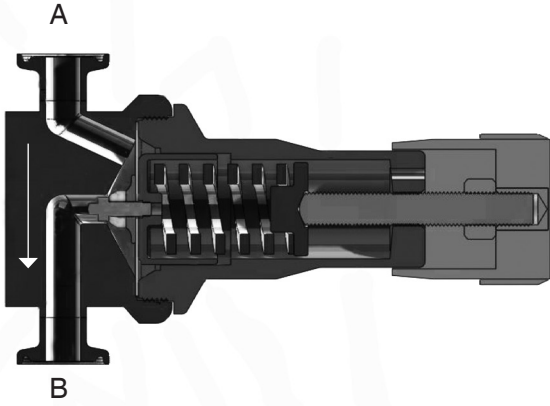
JSB PERFORMANCE WITH 0.5 Cv



JSB PERFORMANCE WITH 0.8 Cv

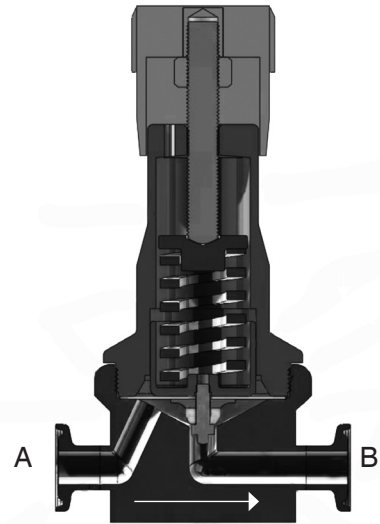


ORIENTATION FOR DRAINABILITY



Vertical Down Installation

No holdup and drainable with flow*
when spring force is removed.



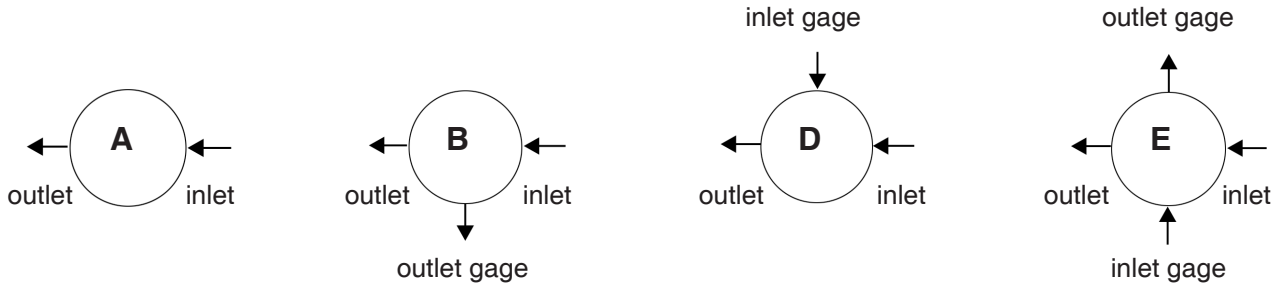
Horizontal Installation

No holdup and drainable out
port A, and port B with flow*
when spring force is removed.

*Notes

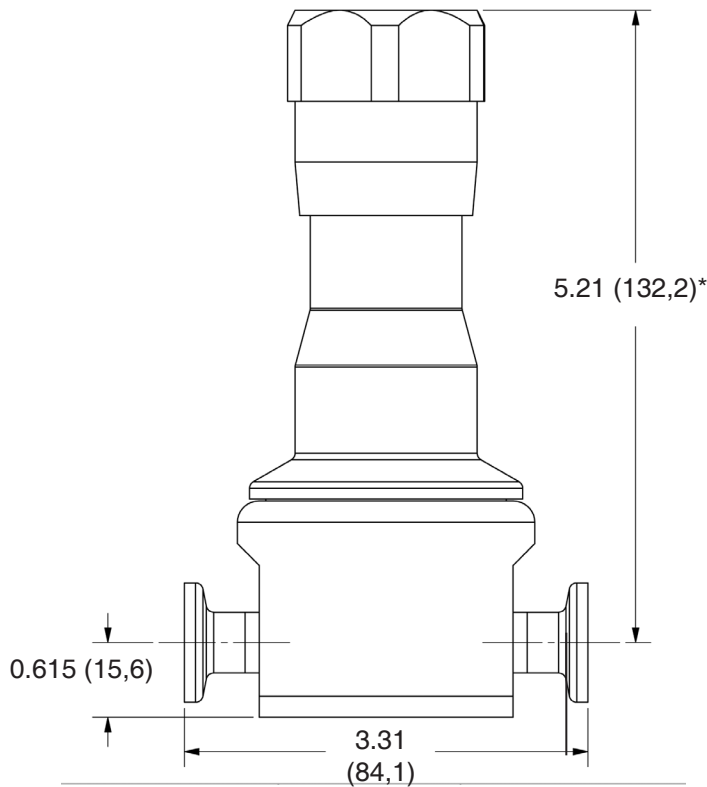
1. For sanitization routines, all spring force should be removed.
2. CIP, Rinse liquids, Clean Steam and drying air must flow from A to B in order to open the valve. With spring force removed, very little pressure is needed to move the diaphragm and plug upward, allowing full velocity flow.

FLOW CONFIGURATIONS



* Gage ports are 1/4" FNPT (consult factory for required alternative)

DIMENSIONS, IN. (MM)



* Add 0.75" (19,1) for easy removal

SAMPLE SPECIFICATIONS

Stainless Steel back pressure regulator shall be made from ASTM A479 barstock material, which includes body and all wetted metal parts, and shall have SF5, 20 Ra μin (0,5 Ra μm) electropolish finish as standard. Regulator shall be fully drainable out the inlet and outlet when installed with spring housing 90° to ground. Regulator shall be activated by an FDA approved, USP Class VI certified Jorlon diaphragm, stem shall be completely guided above the wet so as not to generate metal particulate. Regulator shall be free of exposed threads and any cracks or crevices within wetted process area. Regulator shall have trim that can be replaced inline by simply unthreading the bonnet and replacing the one piece, diaphragm and trim set. Trim set must be either be Teflon, or PEEK, both FDA and USP Class VI approved.

JSB SERIES: COMPACT, HIGH PURITY BIO-PHARMA BACK PRESSURE REGULATING VALVE

ORDERING SCHEMATIC

Model	Size	Material	1 & 2	3 & 4	5 & 6	7 & 8	9 & 10	11 & 12	13 & 14	15	16	17
JSB	—	50	—	6L	/							

Model	
JSB	Compact, High Purity Back Pressure Reducing

Size	
050	1/2"
075	3/4"

Material	
6L	Stainless Steel 316L

1 & 2	Body Feature	
	End Connection	Port Configuration
C	Tri-Clamp 20 Ra EP	A Port "A"
P	FNPT 20 Ra EP	B Port "B"
T	ASME BPE BWE 20 Ra EP	C Port "C"
S ¹	ISO Tri-Clamp, DN15	D Port "D"
V ¹	ISO w/34.0mm face T-Clamp, DN15	E Port "E"
R ¹	ISO T-Clamp, DN20	
D ²	DIN Tri-Clamp, DN15	
N ²	DIN T-Clamp, DN15 w/50.5mm face	
U ²	DIN T-Clamp, DN20	
X ²	DIN T-Clamp, DN20 w/50.5mm face	
M ³	DIN Tube Weld, DN15	
H ⁴	ISO Tube Weld, DN15	
ZZ	Non-Standard	

¹ Acc. to DIN 32676 Row B (ISO 1127). See dimensions, page 5

² Acc. to DIN 32676 Row A. See dimensions, page 5

³ Acc. to DIN 11866, DIN 11850 Row A

⁴ Acc. to DIN 11866 Row B

3 & 4	Trim
1S	0.8 Cv
2S	0.5 Cv
ZZ	Non-Standard

5 & 6	Seat Material
TF	PTFE
PK	Peek
ZZ	Non-Standard

7 & 8	Range Spring/Outlet Pressure
08	8 - 40 PSI
35	35 - 60 PSI
50	50 - 125 PSI
ZZ	Non-Standard

9 & 10	Diaphragm Material
JL	Jorlon
ZZ	Non-Standard

11 & 12	Actuator
SK	Standard Actuator
AK	Standard Actuator / Autoclavable Anod. Aluminum Knob
PM	Panel Mount
CV	Captured Vent
TP	Tamper Proof
ZZ	Non-Standard

13 & 14	Inlet Gauge*
ØB	0 - 30 PSIG/Bar (Dual)
ØC	0 - 60 PSIG/Bar (Dual)
ØD	0 - 100 PSIG/Bar (Dual)
ØE	0 - 160 PSIG/Bar (Dual)
ØF	0 - 200 PSIG/Bar (Dual)
ØN	None
ZZ	Non-Standard

* Gauges are Oil Free and O2 clean as standard.

15	Outlet Gauge*
B	0 - 30 PSIG/Bar (Dual)
C	0 - 60 PSIG/Bar (Dual)
D	0 - 100 PSIG/Bar (Dual)
E	0-160 PSIG/Bar (Dual)
N	None
ZZ	Non-Standard

* Gauges are Oil Free and O2 clean as standard.

16	SEP Compliance
0	None Required
G	SEP Compliant
Z	Non-Standard

17	Accessories
0	None Required
S	Clean For Oil Free
X	Clean for Oxygen*
Z	Non-Standard

*Procedure complies with ASTM G-93 2011 and CGA G-4.1-2009



Steriflow, a division of Jordan Valve

3170 Wasson Road • Cincinnati, OH 45209

513.533.5600 • 800.543.7311 • 513.871.0105 (f)

steriflow@richardsind.com • www.steriflowvalve.com

Steriflow Valve reserves the right to make revisions to its product, specifications, literature and related information without notice. Please visit our website at www.steriflowvalve.com for the latest information on our products.