

Concentric Reducers

Polypropylene / PVDF / PFA-Lined

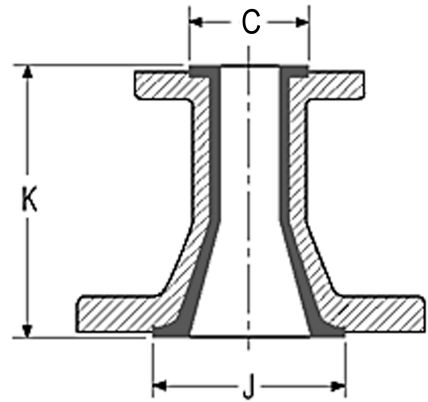
Housing Materials

DI = ASTM A395 Cast Ductile Iron
 CAST STEEL = ASTM A216

Vacuum Ratings

Polypropylene-lined fittings are rated for full vacuum at 225°F.
 PVDF-lined fittings are rated for full vacuum at 275°F.
 Consult factory for vacuum ratings on PFA-lined fittings.

Note: All PP / PVDF / PFA-lined fitting housings are Castings.
 Flanged are fixed.



150lb. Flanged								
Major Size (NPS)	Minor Size (NPS)	Housing Material	Part Numbers by Liner Material and Housing Material			Dimensions (in.)		
			Polypropylene	PVDF	PFA	K	J	C
1.5	1	DI	6000P1VV0NB10	6000K1VV0NB10	N/A	4 1/2	2 11/16	1 7/8
		CAST STEEL	6000P2ZZ0NB10	6000K2ZZ0NB10	6000Q2ZZ0NB10			
2	1	DI	6000P1VV0N210	6000K1VV0N210	N/A	5	3 7/16	1 7/8
		CAST STEEL	6000P2ZZ0N210	6000K2ZZ0N210	6000Q2ZZ0N210			2 11/16
	1.5	DI	6000P1VV0N2B0	6000K1VV0N2B0	N/A			2 11/16
		CAST STEEL	6000P2ZZ0N2B0	6000K2ZZ0N2B0	6000Q2ZZ0N2B0			
2.5	1	DI	6000P1VV0NC10	N/A	N/A	5 1/2	3 15/16	1 7/8
	1.5		6000P1VV0NCB0					2 11/16
	2		6000P1VV0NC20					3 7/16
3	1	DI	6000P1VV0N310	6000K1VV0N310	N/A	6	4 5/8	1 7/8
		CAST STEEL	6000P2ZZ0N310	6000K2ZZ0N310				2 11/16
	1.5	DI	6000P1VV0N3B0	6000K1VV0N3B0				3 7/16
		CAST STEEL	6000P2ZZ0N3B0	6000K2ZZ0N3B0				
	2	DI	6000P1VV0N320	6000K1VV0N320				3 15/16
		CAST STEEL	6000P2ZZ0N320	6000K2ZZ0N320				
	2.5	DI	6000P1VV0N3C0	N/A				3 15/16
		CAST STEEL	N/A					
4	1	DI	6000P1VV0N410	6000K1VV0N410	N/A	7	5 15/16	1 7/8
		CAST STEEL	6000P2ZZ0N410	6000K2ZZ0N410				2 11/16
	1.5	DI	6000P1VV0N4B0	6000K1VV0N4B0				3 7/16
		CAST STEEL	6000P2ZZ0N4B0	6000K2ZZ0N4B0				
	2	DI	6000P1VV0N420	6000K1VV0N420				4 5/8
		CAST STEEL	6000P2ZZ0N420	6000K2ZZ0N420				
	3	DI	6000P1VV0N430	6000K1VV0N430				4 5/8
		CAST STEEL	6000P2ZZ0N430	6000K2ZZ0N430				

150lb. Flanged, cont'												
Major Size (NPS)	Minor Size (NPS)	Housing Material	Part Numbers by Liner Material and Housing Material			Dimensions (in.)						
			Polypropylene	PVDF	PFA	K	J	C				
6	1	DI	6000P1VV0N610	6000K1VV0N610	N/A	9	8	1 7/8				
		CAST STEEL	6000P2ZZ0N610	6000K2ZZ0N610								
	1.5	DI	6000P1VV0N6B0	6000K1VV0N6B0				2 11/16				
		CAST STEEL	6000P2ZZ0N6B0	6000K2ZZ0N6B0								
	2	DI	6000P1VV0N620	6000K1VV0N620				3 7/16				
		CAST STEEL	6000P2ZZ0N620	6000K2ZZ0N620								
	3	DI	6000P1VV0N630	6000K1VV0N630				4 5/8				
		CAST STEEL	6000P2ZZ0N630	6000K2ZZ0N630								
	4	DI	6000P1VV0N640	6000K1VV0N640				5 15/16				
		CAST STEEL	6000P2ZZ0N640	6000K2ZZ0N640								
	8	1	DI	6000P1VV0N810				6000K1VV0N810	N/A	11	10 1/16	1 7/8
			CAST STEEL	6000P2ZZ0N810				6000K2ZZ0N810				
1.5		DI	6000P1VV0N8B0	6000K1VV0N8B0	2 11/16							
		CAST STEEL	6000P2ZZ0N8B0	6000K2ZZ0N8B0								
2		DI	6000P1VV0N820	6000K1VV0N820	3 7/16							
		CAST STEEL	6000P2ZZ0N820	6000K2ZZ0N820								
3		DI	6000P1VV0N830	6000K1VV0N830	4 5/8							
		CAST STEEL	6000P2ZZ0N830	6000K2ZZ0N830								
4		DI	6000P1VV0N840	6000K1VV0N840	5 15/16							
		CAST STEEL	6000P2ZZ0N840	6000K2ZZ0N840								
6		DI	6000P1VV0N860	6000K1VV0N860	8							
		CAST STEEL	6000P2ZZ0N860	6000K2ZZ0N860								
10	4	CAST STEEL	6000P2ZZ0NE40	6000K2ZZ0NE40	N/A	12	12 3/4	5 15/16				

300lb. Flanged - Cast Steel Body Only								
Major Size (NPS)	Minor Size (NPS)	Housing Material	Part Numbers by Liner Material		Dimensions (in.)			
			Polypropylene	PVDF	K	J	C	
1.5	1	CAST STEEL	6000PAY0NB10	6000KAY0NB10	4 1/2	2 11/16	1 7/8	
2	1		6000PAY0N210	6000KAY0N210	5	3 7/16	1 7/8	
	1.5		6000PAY0N2B0	6000KAY0N2B0			2 11/16	
3	1		6000PAY0N310	6000KAY0N310	6	4 5/8	1 7/8	
	1.5		6000PAY0N3B0	6000KAY0N3B0			2 11/16	
			2	6000PAY0N320			6000KAY0N320	3 7/16
4	2		6000PAY0N420	6000KAY0N420	7	5 15/16	3 7/16	
	3		6000PAY0N430	6000KAY0N430			4 5/8	
6	2		6000PAY0N620	6000KAY0N620	9	8	3 7/16	
	3		6000PAY0N630	6000KAY0N630			4 5/8	
	4		6000PAY0N640	6000KAY0N640			5 15/16	