

Mark 978LF-JD Series

Sanitary Diaphragm Sealed Low Flow Control Valves

The Mark 978LF-JD Sanitary Low Flow Control Valve is designed to meet the stringent specifications for low flow biopharmaceutical processes. These low flow control valves are suitable for a wide variety of sterile liquid and gaseous media. The Mark 978LF-JD is ideal for use on WFI, Growth Media, Buffer, Elution Media, Solvents, as well as Clean Utility applications like Clean Steam and CIP fluids. They can be used in a wide variety of applications in the cosmetic, dairy, and food & beverage industries.

Whether the need is to control pressure, temperature, flow pH, level, or other variables, the MK978LF-JD's true characterized trims and excellent repeatability makes it the right choice for your sanitary process applications.

FEATURES

- Jorlon™ Diaphragm Stem Seal.
- Maintenance-friendly – easy to perform maintenance with simple disassembly, reassembly
- Wetted parts made of 100% 316L Stainless Steel barstock
- No guiding surfaces in the fluid – prevents particulate generation
- Coated, or Optional 316L multi-spring actuators provide excellent corrosion resistance during wash-down
- Self Draining
- CIP, and SIP capable
- SF5, 20 Ra μm (0,5 μm) Mechanically polished and electropolished wetted body and trim, with 8 Ra μm (0,2 μm) optional
- FDA and USP Class VI conformity on all process seal materials

DOCUMENTATION

The following documentation is shipped at no charge:

- Steriflow Unicert: Certificate of Compliance for:
 - Material, including MTR's
 - Surface Finish
 - FDA/USP Class VI
- Traceability:
 - Each Unicert includes valve serial numbers, heat numbers and MTR's directly traceable to each valve serial number, and component heat numbers.



AVAILABLE FINISHES

Body

- Standard: SF5, 20 Ra μm (0,5 μm) mechanical and electropolish finish on internal wetted surfaces; machine finish on exterior 40 Ra μm (1.0 μm), and electropolished inside and out
- Optional: 20 Ra μm (0,5 μm) mechanical and electropolish finish on external surfaces; 8 Ra μm (0,2 Ra μm) electropolish finish on internal or external surfaces

Stem

- Standard: SF5 20 Ra μm (0,5 Ra μm) mechanical and electropolish finish
- Optional: 8 Ra μm (0,2 μm) mechanical and electropolish finish

APPLICATIONS

For continuous precision low flow control of media, process, purified water and clean Utilities in the Biopharmaceutical, Pharmaceutical, Food & Beverage, and Consumer Health & Beauty industries:

- Small Bioreactor/Fermenter process input control: Growth Media, Buffer, WFI, Sparge and Blanket gas
- Separation input and output control: WFI, Process, Product and Waste Streams
- Purification input and output control: Elution media, Solvents, Buffer, WFI
- Clean Utilities: Pure Steam, WFI, CIP, CCA, CCG
- F&B and Consumer H&B Process Inputs, Outputs, Purified Water and Clean Utilities

SPECIFICATIONS

Sizes: Standard: 1/2" (DN15) & 3/4" (DN20)

Optional: 1/4" & 3/8" ASME sizes only

Material: ASTM A479 316L, or 1.4435 SS Barstock body and trim

Body/ Bonnet & Stem Seal: Jorlon Diaphragm (FDA/ USP Class VI)

End Connections: ASME Tri-Clamp (1/4", 1/2", 3/4" only) and ASME Tube weld end standard (all sizes); DIN, ISO Tri-clamp and tube weld end (DN15, and DN20 only)

Cv, Linear or Equal Percentage, (Kv):

0.05 (0,043)

0.08 (0,07)

0.10 (0,086)

Shutoff: ANSI Class III

Actuator: 14M multispring actuator, White coated Aluminum Standard, Stainless Steel Optional

O-Ring Material: EPDM, Viton (FDA/USP Class VI)

Maximum Pressure @ 100°F (37,8°C): 150 psi (10,3 bar)

Pressure @ Maximum Temperature: 100 psi @ +340°F (6,9 bar @ +171°C)

Weight:

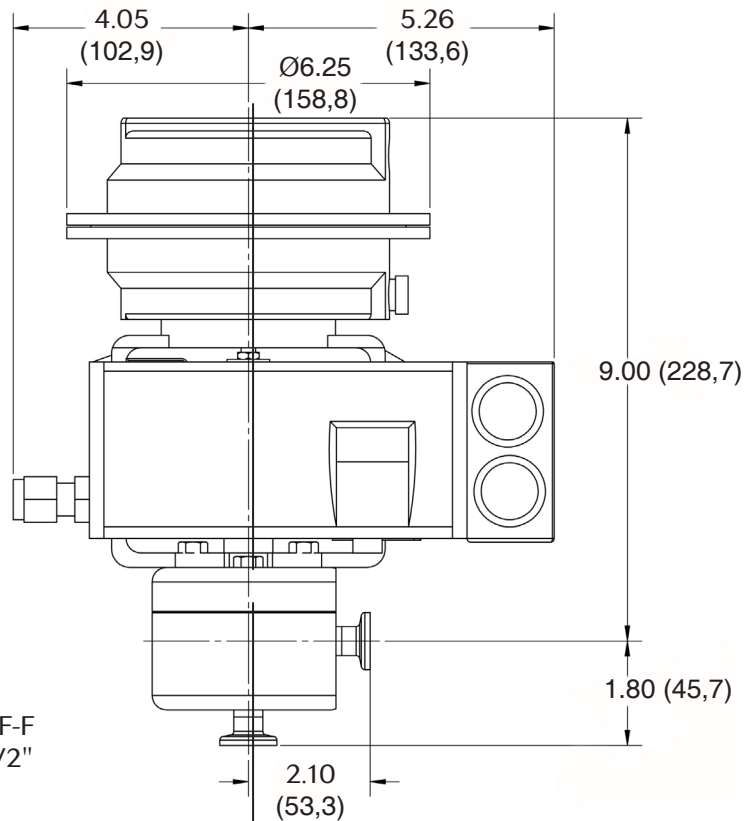
- 8.2 lbs (3,7 kgs) – Body with Aluminum 14M actuator
- 10.2 lbs (4,6 kgs) – Body with Stainless Steel 14M actuator
- 15 lbs (6,8 kgs) - Complete valve, Aluminum 14M Actuator and Siemens Positioner

CV VS TRAVEL

Cv	10%	20%	30%	40%	50%	60%	70%	80%	90%	100%
0.05 EQ	0.015	0.016	0.016	0.017	0.017	0.017	0.018	0.023	0.032	0.049
0.08 EQ	0.024	0.026	0.027	0.028	0.029	0.030	0.034	0.042	0.054	0.079
0.10 EQ	0.030	0.031	0.030	0.030	0.031	0.033	0.038	0.046	0.061	0.106
0.05 LN	0.016	0.019	0.021	0.022	0.023	0.025	0.028	0.032	0.036	0.05
0.08 LN	0.028	0.032	0.036	0.038	0.038	0.040	0.046	0.054	0.062	0.084
0.10 LN	0.033	0.039	0.043	0.047	0.046	0.048	0.056	0.064	0.076	0.107

other Cv's available upon request

DIMENSIONS



ORIENTATION FOR DRAINABILITY

Gravity drainable when installed in the orientation shown at right, with flow in the side and out the bottom. See page 3.

Weight as shown with positioner:
15lbs (6,8 Kg)

Tolerance: BWE, FE, Tri-Clamp & Tube End F-F
Dim are $\pm 1/16"$ all other dimensions: $\pm 1/2"$

FEATURES & BENEFITS

Rugged 14M actuator has been field-proven for smooth operation over the life of the valve

Lightweight, white, corrosion resistant coated aluminum actuator with SST fasteners is standard. 316LSS actuator available as option.

Compact design allows installation where space is limited

Wide base, solid Stainless steel NAMUR yoke bolted to body for stem rigidity regardless of valve orientation

Extended, non-wetted PEEK guide bushing ensures smooth, stable movement throughout entire stroke length

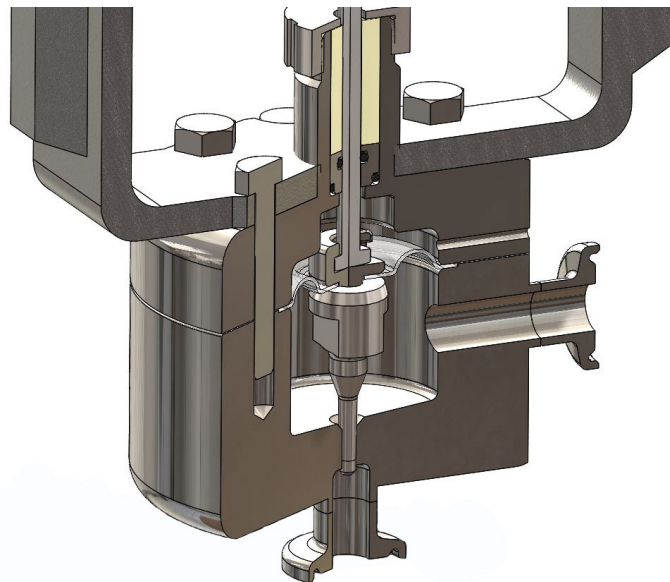
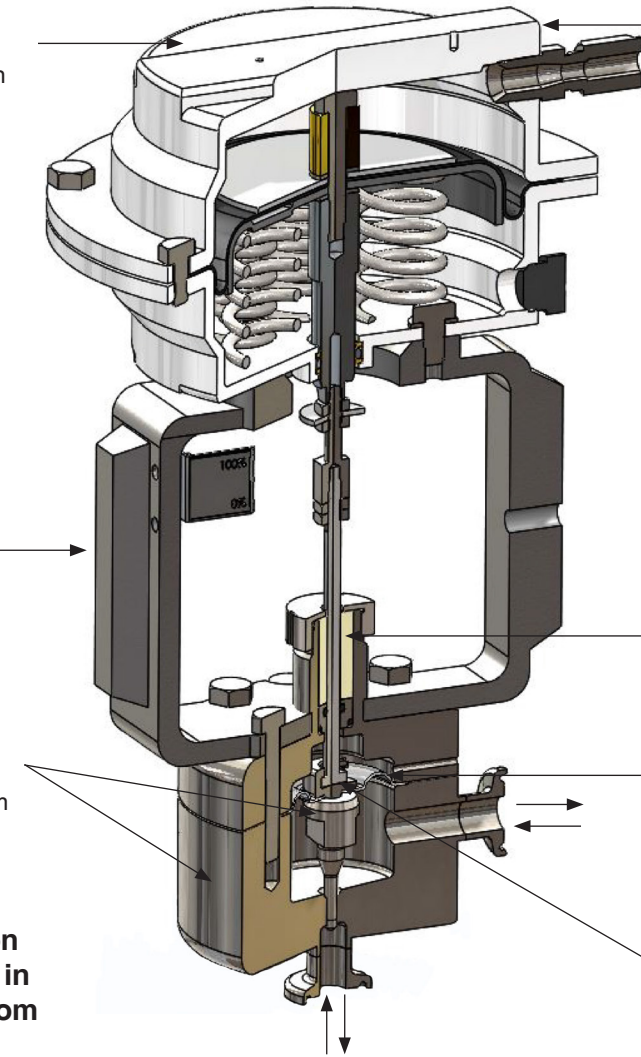
ASTM A479 316L standard, or DIN 1.4435 and other materials optional, for body and wetted trim

Jorlon™ Diaphragm for long lived performance

Valve flow is bi-directional

Gravity drainable when installed in the orientation shown at right, with flow in the side and out the bottom

Quick change trim feature: simply slide off and replace



ORDERING SCHEMATIC

1	—	2	—	3	—	4	/	5 & 6	7 & 8	9 & 10	11 & 12	13 & 14	15

1	Model
978MV	Motor Valve
978SP	Side Mounted Positioner
978TP	Top Mounted Positioner

2	Size
050	1/2"
075	3/4"

3	Low Flow
LF	Low Flow

4	Diaphragm
JD	Jorlon Diaphragm

5 & 6	1/2" Tri-C Body, Cv, Char. Finish
AALN6A	1/2" LIN Cv 0.05 20Ra int./63RMS ext.
A1LN6A	1/2" LIN Cv 0.05 20Ra int./20Ra ext.
A2LN61	1/2" LIN Cv 0.05 8Ra int./20Ra ext.
A3LN61	1/2" LIN Cv 0.05 8Ra int./8Ra ext.
A4LN61	1/2" LIN Cv 0.05 8Ra int./63 RMS ext.
AAEPA6	1/2" EQP Cv 0.05 20Ra int./63 RMS ext.
A1EPA6	1/2" EQP Cv 0.05 20Ra int./20Ra ext.
A2EP16	1/2" EQP Cv 0.05 8Ra int./20Ra ext.
A3EP16	1/2" EQP Cv 0.05 8Ra int./8Ra ext.
A4EP16	1/2" EQP Cv 0.05 8Ra int./63 RMS ext.
AALN7A	1/2" LIN Cv 0.08 20Ra int./63 RMS ext.
A1LN7A	1/2" LIN Cv 0.08 20Ra int./20Ra ext.
A2LN71	1/2" LIN Cv 0.08 8Ra int./20Ra ext.
A3LN71	1/2" LIN Cv 0.08 8Ra int./8Ra ext.
A4LN71	1/2" LIN CV 0.08 8Ra int./63 RMS ext.
AAEPA7	1/2" EQP Cv 0.08 20Ra int./63RMS ext.
A1EPA7	1/2" EQP Cv 0.08 20Ra int./20RA ext.
A2EP17	1/2" EQP Cv 0.08 8Ra int./20RA ext.
A3EP17	1/2" EQP Cv 0.08 8Ra int./8RA ext.
A4EP17	1/2" EQP Cv 0.08 8Ra int./63RMS ext.
AALN8A	1/2" LIN Cv 0.1 20Ra int./63 RMS ext.
A1LN8A	1/2" LIN Cv 0.1 20Ra int./20Ra ext.
A2LN81	1/2" LIN Cv 0.1 8Ra int./20Ra ext.
A3LN81	1/2" LIN Cv 0.1 8Ra int./8Ra ext.
A4LN81	1/2" LIN CV 0.1 8Ra int./63 RMS ext.
AAEPA8	1/2" EQP Cv 0.1 20Ra int./63RMS ext.
A1EPA8	1/2" EQP Cv 0.1 20Ra int./20RA ext.
A2EP18	1/2" EQP Cv 0.1 8Ra int./20RA ext.
A3EP18	1/2" EQP Cv 0.1 8Ra int./8RA ext.
A4EP18	1/2" EQP Cv 0.1 8Ra int./63RMS ext.
ZZZZZZ	Non-Standard

continued

MARK 978LF-JD SANITARY LOW FLOW CONTROL VALVES

5 & 6	3/4" Tri-C Body, Cv, Char. Finish
BALN6A	3/4" LIN Cv 0.05 20Ra int./63RMS ext.
B1LN6A	3/4" LIN Cv 0.05 20Ra int./20Ra ext.
B2LN61	3/4" LIN Cv 0.05 8Ra int./20Ra ext.
B3LN61	3/4" LIN Cv 0.05 8Ra int./8Ra ext.
B4LN61	3/4" LIN Cv 0.05 8Ra int./63 RMS ext.
BAEPA6	3/4" EQP Cv 0.05 20Ra int./63 RMS ext.
B1EPA6	3/4" EQP Cv 0.05 20Ra int./20Ra ext.
B2EP16	3/4" EQP Cv 0.05 8Ra int./20Ra ext.
B3EP16	3/4" EQP Cv 0.05 8Ra int./8Ra ext.
B4EP16	3/4" EQP Cv 0.05 8Ra int./63 RMS ext.
BALN7A	3/4" LIN Cv 0.08 20Ra int./63 RMS ext.
B1LN7A	3/4" LIN Cv 0.08 20Ra int./20Ra ext.
B2LN71	3/4" LIN Cv 0.08 8Ra int./20Ra ext.
B3LN71	3/4" LIN Cv 0.08 8Ra int./8Ra ext.
B4LN71	3/4" LIN CV 0.08 8Ra int./63 RMS ext.
BAEPA7	3/4" EQP Cv 0.08 20Ra int./63RMS ext.
B1EPA7	3/4" EQP Cv 0.08 20Ra int./20RA ext.
B2EP17	3/4" EQP Cv 0.08 8Ra int./20RA ext.
B3EP17	3/4" EQP Cv 0.08 8Ra int./8RA ext.
B4EP17	3/4" EQP Cv 0.08 8Ra int./63RMS ext.
BALN8A	3/4" LIN Cv 0.1 20Ra int./63 RMS ext.
B1LN8A	3/4" LIN Cv 0.1 20Ra int./20Ra ext.
B2LN81	3/4" LIN Cv 0.1 8Ra int./20Ra ext.
B3LN81	3/4" LIN Cv 0.1 8Ra int./8Ra ext.
B4LN81	3/4" LIN CV 0.1 8Ra int./63 RMS ext.
BAEPA8	3/4" EQP Cv 0.1 20Ra int./63RMS ext.
B1EPA8	3/4" EQP Cv 0.1 20Ra int./20RA ext.
B2EP18	3/4" EQP Cv 0.1 8Ra int./20RA ext.
B3EP18	3/4" EQP Cv 0.1 8Ra int./8RA ext.
B4EP18	3/4" EQP Cv 0.1 8Ra int./63RMS ext.
ZZZZZZ	Non-Standard

7 & 8	Stem Seal
JH	Jorlon Diaphragm/Viton O/R
ZZ	Non-Standard

9 & 10	Actuator/Range
	978 / 978TP
D1	14M Aluminum / 3-15 / Direct
R1	14M Aluminum / 3-15 / Reverse
D2	14M Aluminum / 6-30 / Direct
R2	14M Aluminum / 6-30 / Reverse
D3	14M SST / 3-15 / Direct
R3	14M SST / 3-15 / Reverse
D4	14M SST / 6-30 / Direct
R4	14M SST / 6-30 / Reverse
	978SP
D1	14M Aluminum / All / Direct
R1	14M Aluminum / All / Reverse
D3	14M SST / All / Direct
R3	14M SST / All / Reverse
	978MV
1D	MV1010 / 4-20MA Direct / All
1R	MV1010 / 4-20MA Reverse / All
ZZ	Non-Standard

11 & 12	Action
DD	Direct
RR	Reverse
ZZ	Non-Standard

13 & 14	Accessories
00	None
1A	I/P Trans. 4-20MA / 3-15P
2A	Air regulator with gage
3A	I/P Trans. 4-20MA / 6-30P
ZZ	Non-Standard

15	Positioners
0	None
A	SMP Dir / Rev 3-15
B	SMP Dir / Rev 3-9
C	SMP Dir / Rev 9-15
D	SMP/IP Dir / Rev 4-20
E	SMP/IP Dir / Rev 4-12
F	SMP/IP Dir / Rev 12-20
G	MK 16IQ (with Hart, FM Approval) Dir / Rev
H	MK 16IQ-B (without Hart, FM Approval) Dir / Rev
J	MK 16IQ-FF Dir / Rev
Z	Non-Standard



Steriflow, a division of Jordan Valve

3170 Wasson Road • Cincinnati, OH 45209
 513.533.5600 • 800.543.7311 • 513.871.0105 (f)
 steriflow@richardsind.com • www.steriflowvalve.com