



ITT



Pure-Flo® Zero Static Dual Inline (ZDI)

Zero Static use points are some of the most critical valves utilized in the Biopharmaceutical industry. Zero Statics are used extensively on Water for Injection (WFI) and purified water loops. These water loops supply nearly every manufacturing process. Water loop maintenance is typically scheduled for annual shutdowns so as not to affect production. Critical applications or use point locations that require maintenance on a more frequent basis or that would affect a large portion of the plant water loop may require additional valves to isolate the main water loop for maintenance. The Zero Static Dual Inline valve was designed specifically to allow for maintenance of two use points with minimum loop downtime.

Typical Applications

- Use points where the loop service intervals need to be maximized

Specifications

Standard Sizes:

- 0.5" - 2" (DN 15 - 50) Valve size
- 0.5" - 4" (DN 15 - 100) Run size
- Other sizes available upon request

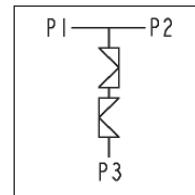
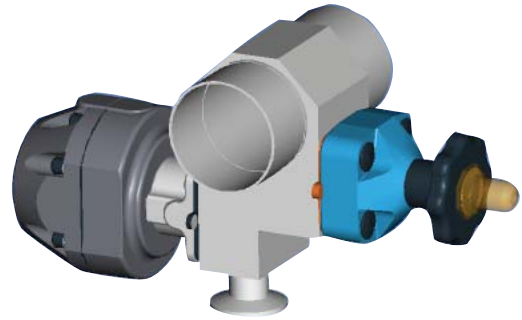
Materials:

- 316L ASTM - A479
- DN 177440, 1.4435
- AL6XN
- Hastelloy C-22 & C-276
- Other materials available upon request

Standard End Connections:

- 14, 16, 18, 20 Gauge OD tubing
- DIN/ISO
- Tri-Clover Tri-Clamp®
- Others available upon request

Compatible with standard Pure-Flo topworks: See PFTOP for details on available manual bonnets or actuator.



Flow Path



How to Order a Zero Static Dual Inline

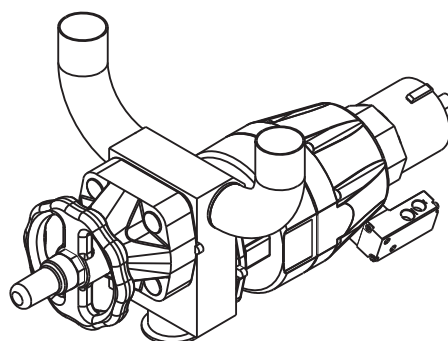
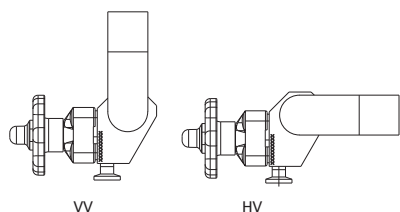
2" Zero Static Dual Inline, wrought stainless steel, U-bend vertical tube, 2" run, with 16 ga butt weld ends, Tri-clamp valve outlet end connection, 25 Ra interior finish, standard exterior finish (Scotch Brite).

Figure Number: ZDI-2-419-2-VV-428-2-W-6-1-0

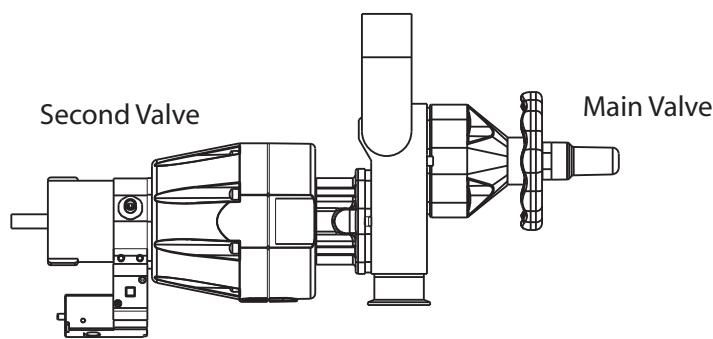
| | | | | | | | | | | |
|-----------------------|--|-----|---|-----|---|---|-----|---|---|-------|
| Configuration Example | | ZDI | 2 | 419 | 2 | W | 428 | 2 | W | 6-1-0 |
| Valve Body | Block Type | ZDI | | | | | | | | |
| | Valve Size | | 2 | | | | | | | |
| | Body End Connection (P3) | | | 419 | | | | | | |
| | Zerostatic Tube Size | | | | 2 | | | | | |
| | U-Bend Orientation ¹ | | | | | W | | | | |
| | Zerostatic Tube End Connections (P1, P2) | | | | | | 428 | | | |
| | Second Valve Size | | | | | | | 2 | | |
| | Body Material | | | | | | | | W | |
| | Polish Selections | | | | | | | | | 6-1-0 |

¹ For a U-Bend Vertical Tube, enter VV. For Horizontal Tube, enter HV. See drawings below for vertical tube and horizontal tube examples.

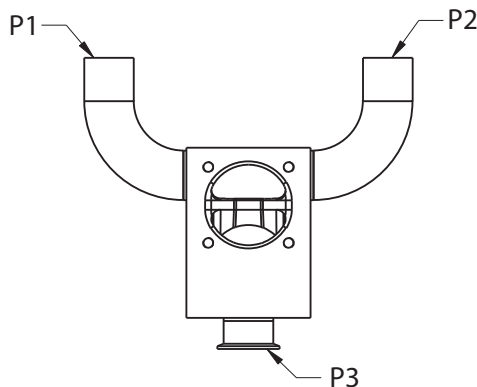
To add topworks, see BBTOP. For additional figure numbers, see PFORD.



ISOMETRIC VIEW



SIDE VIEW



FRONT VIEW

Please contact ITT Engineered Valves for the latest drawing and dimensional information. The above drawing should only be used as a general reference.

Engineered Valves, LLC
33 Centerville Road
Lancaster, PA 17603
(717) 509-2200

ITT Pure-Flo (UK) Ltd
Richards Street
Kirkham, Lancashire
PR4 2HU, England