

**FIG. 223**

**TELESCOPIC ADJUSTING ROUND FLOOR MOUNT STAND**

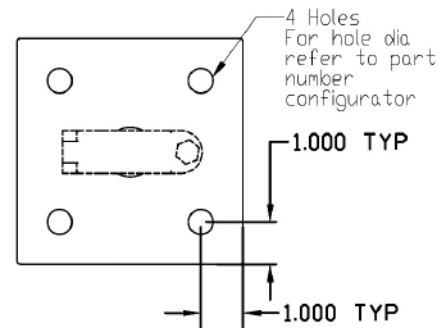
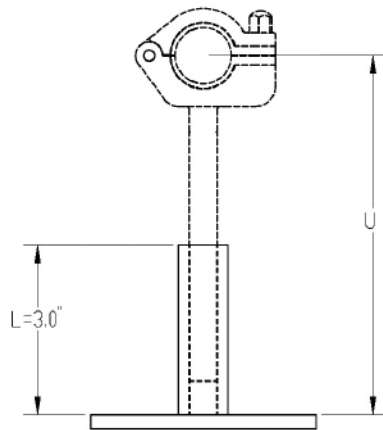
The Telescopic Adjusting Round Floor Mount Stand allows the housing's rod elevation to be adjusted up to 2" from the base plate's surface. The rod attached to the housing slides inside the base plate's elevation adjustment tube. This fine tune adjustment allows the installer to quickly change the support's elevation to match the tube's distance from the floor. The base plate can be supplied with or without anchor bolt holes. Anchor bolts not supplied by Behringer.



**Base Plate Sizing:** RSP1 & RSP2 - 0.25" to 2.00" OD tube & pipe sizes  
 RSP3 & RSP4 - 2.05" to 4.50" OD tube & pipe sizes  
 RSP5 & RSP6 - 5.08" to 6.00" OD tube & pipe sizes

**Hardware Material:** 304 stainless steel, 316 stainless steel, carbon steel & zinc plated

**Finish:** MILL = Fabricated steel and welds are a mill finish  
 BUFF = Fabricated steel and weld are buffed to remove splatter  
 BLND = Fabricated steel is polished and welds are blended  
 Special finishes and painted stands are available, call Behringer



**Clamp & Rod Sold Separately**

**Fig. 223 Telescopic Adjusting Round Floor Mount Stand**

